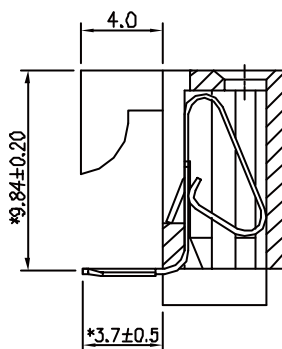
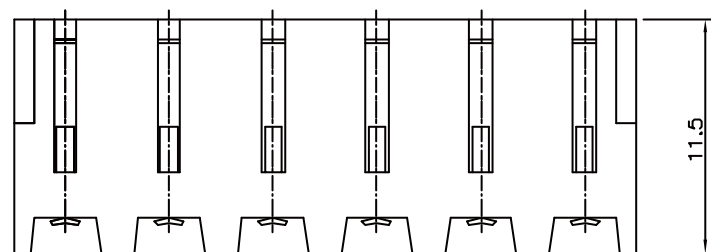
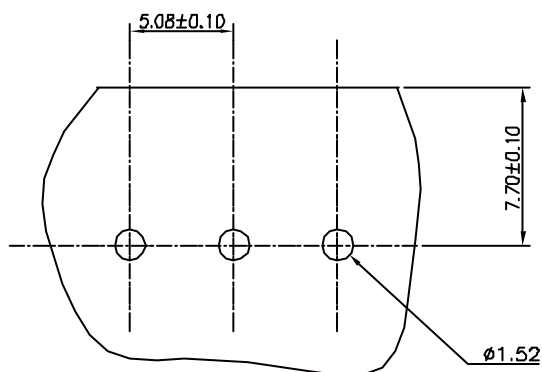


Specifications
Material & Finish
 Housing Material: Nylon UL94V-2
 Plating:
 Contacts: Copper alloy/Under plating : Nickel (50u")Min.
 Over plating : Tin alloy (100? ")Min.
 Mating Force : 6.7 N Max.
 Unmating Force : 1 N min.
 Normal Force : 3.4 N g.
Electrical Performance:
 CURRENT-max.: 5.0A
 VOLTAGE-max.: 250V AC Max.
 WITHSTANDING VOLTAGE: 1500V
 INSULATION RESISTANCE: 1500 Megohms min.
 TEMPERATURE RANGE : -40° to +105°C



SEC:N-N



RECOMMENDED PCB LAYOUT

CIRCUITS	DIM. A	ΔDIM. B
2	5.08±0.10	10.16 +0.05 +0.20
3	10.16±0.10	15.24 +0.05 +0.20
4	15.24±0.10	20.32 +0.10 +0.25
5	20.32±0.10	25.40 +0.10 +0.25
6	25.40±0.10	30.48 +0.10 +0.25
7	30.48±0.20	35.56 +0.10 +0.25
8	35.56±0.20	40.64 +0.20 +0.40
9	40.64±0.20	45.72 +0.20 +0.40
10	45.72±0.20	50.80 +0.20 +0.45
11	50.80±0.20	55.88 +0.20 +0.45
12	55.88±0.25	60.96 +0.50 +0.75
13	60.96±0.25	66.04 +0.50 +0.75
14	66.04±0.25	71.12 +0.50 +0.75
15	71.12±0.25	76.20 +0.50 +0.75
16	76.20±0.25	81.28 +0.50 +0.75
17	81.28±0.30	86.36 +0.50 +0.75
18	86.36±0.30	91.44 +0.50 +0.75
19	91.44±0.30	96.52 +0.50 +0.75
20	96.52±0.30	101.60 +0.50 +0.75

RoHS Compliant

TOLERANCES ARE

MORETHANALL
PCB CONNECTORS
Cable ASSEMBLIES

煜倫股份有限公司

www.morethanall.com

DRAWING BY CY

CHECKED BY GENIUS

UNIT / mm

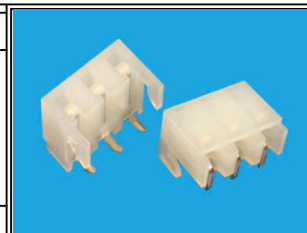
SCALE 1 : 1

DATE

SIZE A4

P PROJECTION

X, ±
 .X ± 0.20
 .XX ± 0.10
 .XXX ±
 ANG ±



ORDER INFORMATION

LKX-SX-xx-LF
 SERIES | | LEADFREE
 | | 02~20WAY
 | | NON LOCK
 | | SIDE ENTRY

DESCRIPTION: RIGHT ANGLE TYPE FOR 5.08MM PITCH FEMALE CONN.