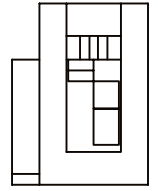
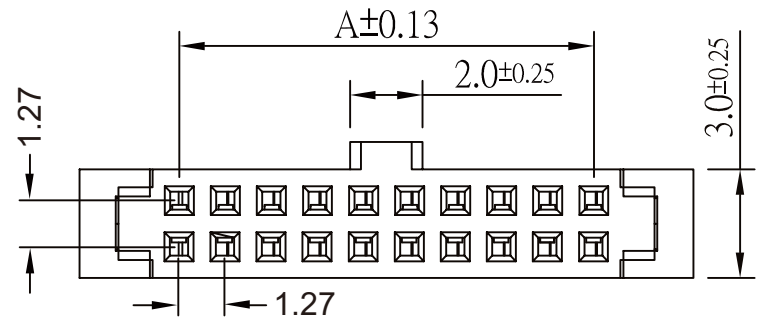
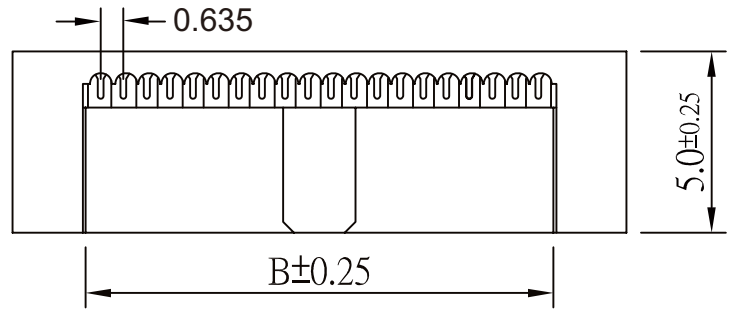
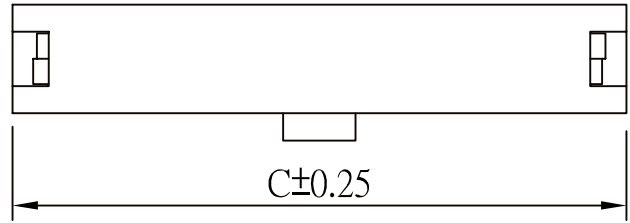


Contract:
 Contact: Phosphor Brass.
 Insulator: PBT.
 Finish: Copper Alloy with Gold over Nickel Plated.

Specifications:
 Current Rating: 0.5 Amp
 Contact resistance: 30m Ohm Max.
 Insulator resistance: 1000M ohm min.
 Operating Temperature Range: -40°~+105°C



Circuits	Dimension		
	A	B	C
6	2.54	4.01	8.04
8	3.81	5.28	9.31
10	5.08	6.55	10.58
12	6.35	7.82	11.85
14	7.62	9.09	13.12
16	8.89	10.36	14.39
20	11.43	12.90	16.93
24	13.97	15.44	19.47
26	15.24	16.71	20.74
30	17.78	19.25	23.28
34	20.32	21.79	25.82
40	24.13	25.60	29.63
44	26.67	28.14	32.17
50	30.48	31.95	35.98
60	36.83	38.30	42.33
64	39.37	40.84	44.87
66	40.64	42.11	46.14
68	41.91	43.38	47.41

RoHS Compliant

TOLERANCES ARE



煜倫股份有限公司

www.morethanall.com

DRAWING BY CY

CHECKED BY GENIUS

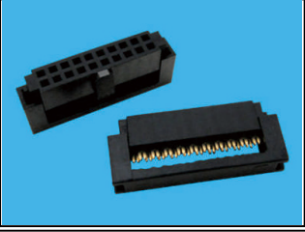
UNIT/mm SCALE 1:1

DATE

SIZE A4

X. ±
 .X ±
 .XX ±
 .XXX ±
 ANG ±

PJECTION



ORDER INFORMATION

HAF-C2-xxx-LF
 SERIES | LEADFREE
 006-068WAY
 IDC TWO TYPE

DESCRIPTION: 1.27-1.27 Pitch IDC Straight