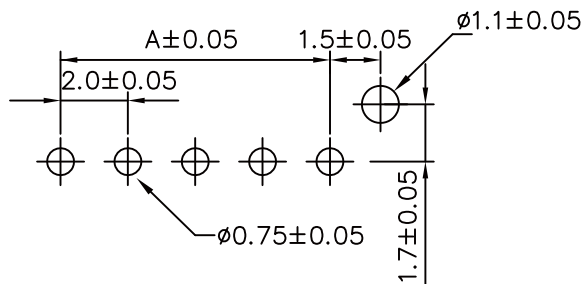
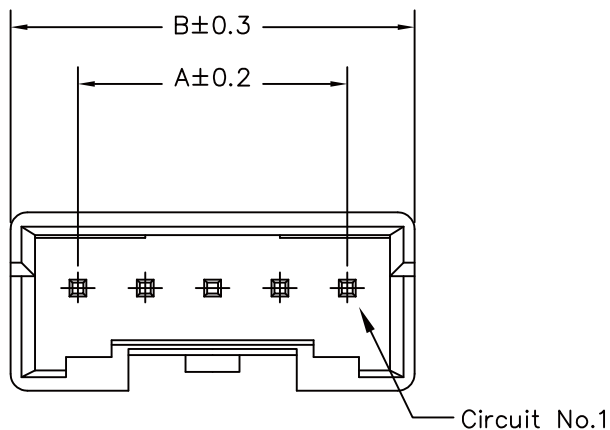


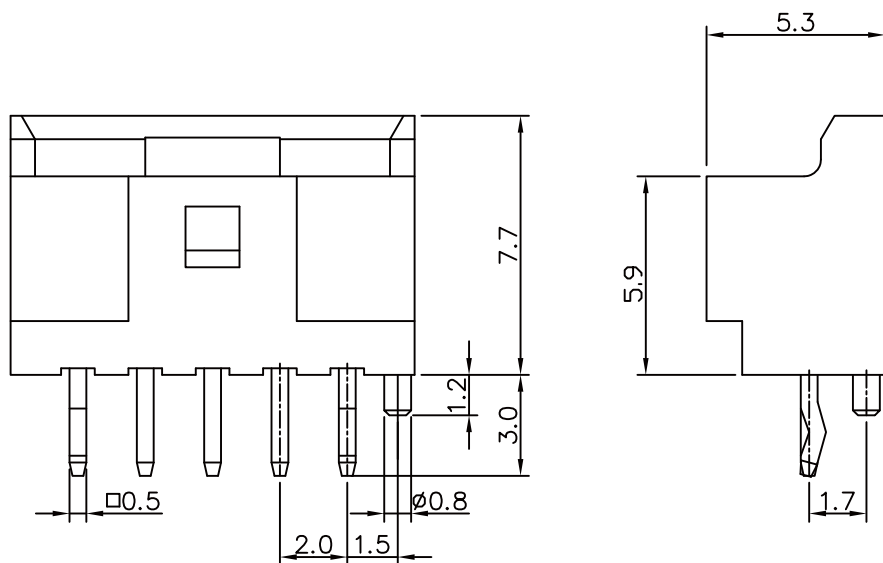
(2 to 9 circuits)



RECOMMENDED P.C.BOARD HOLE DIMM.

Specifications

Current Rating: 3A AC/ DC (Max)AWG#22
 Voltage Rating: 250V AC/ DC
 Temperature Range: -25°C ~ + 85°C
 Contact Resistance: 20mΩ Max
 Insulation Resistance: 1000MΩ Min
 Withstand Voltage:800V AC/Minute
 Pin Material: Brass/ Tin-plated
 Wafer Material: Glass-filled PBT,UL94V-0,natural



Poles	Dimension mm (in.)		Part No.
	A	B	
2	2.0(0.079)	6.0(0.236)	PA-DP-02
3	4.0(0.157)	8.0(0.315)	PA-DP-03
4	6.0(0.236)	10.0(0.394)	PA-DP-04
5	8.0(0.315)	12.0(0.472)	PA-DP-05
6	10.0(0.394)	14.0(0.551)	PA-DP-06
7	12.0(0.472)	16.0(0.630)	PA-DP-07
8	14.0(0.551)	18.0(0.709)	PA-DP-08
9	16.0(0.630)	20.0(0.787)	PA-DP-09

RoHS Compliant

TOLERANCES ARE



煜倫股份有限公司

www.morethanall.com

DRAWING BY CY

CHECKED BY GENIUS

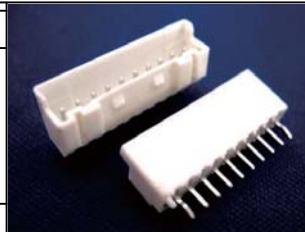
UNIT/ mm SCALE 1:1

DATE

SIZE A4

X, ±
 .X ±
 .XX ±
 .XXX ±
 ANG ±

P PROJECTION

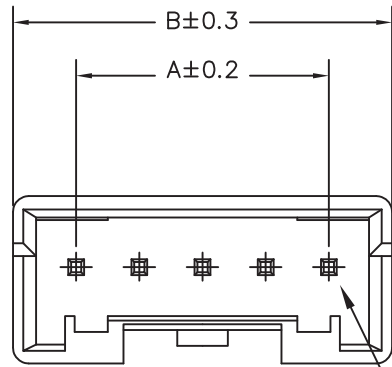


ORDER INFORMATION

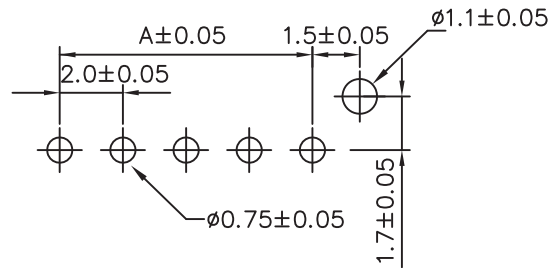
PA-DP-xx-LF
 SERIES | T LEADFREE
 | | 02~15WAY
 | | POST
 | | DIP 180°

DESCRIPTION: 2.0mm Wire-to-Board Header DIP 180° Type

(5 to 6 circuits)



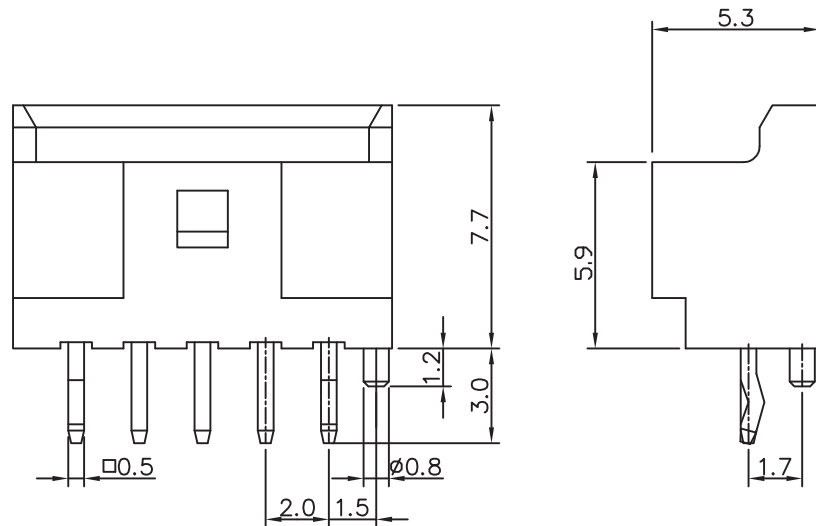
Circuit No.1



RECOMMENDED P.C.BOARD HOLE DIMM.

Specifications

- Current Rating: 3A AC/ DC (Max)AWG#22
- Voltage Rating: 250V AC/ DC
- Temperature Range: -25°C ~ + 85°C
- Contact Resistance: 20mΩ Max
- Insulation Resistance: 1000MΩ Min
- Withstand Voltage:800V AC/Minute
- Pin Material: Brass/ Tin-plated
- Wafer Material: Glass-filled PBT,UL94V-0,natural



RoHS Compliant

TOLERANCES ARE

MORETHANALL
PCB CONNECTORS
Cable ASSEMBLIES

DRAWING BY CY

CHECKED BY GENIUS

UNIT/ mm

SCALE 1:1

DATE

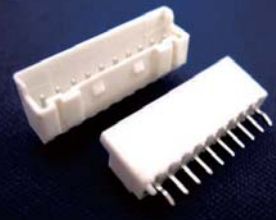
SIZE A4

P PROJECTION

X, ±
.X ±
.XX ±
.XXX ±
ANG ±

煜倫股份有限公司

www.morethanall.com

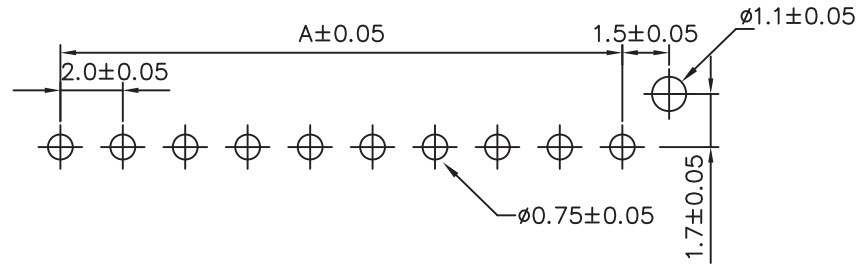
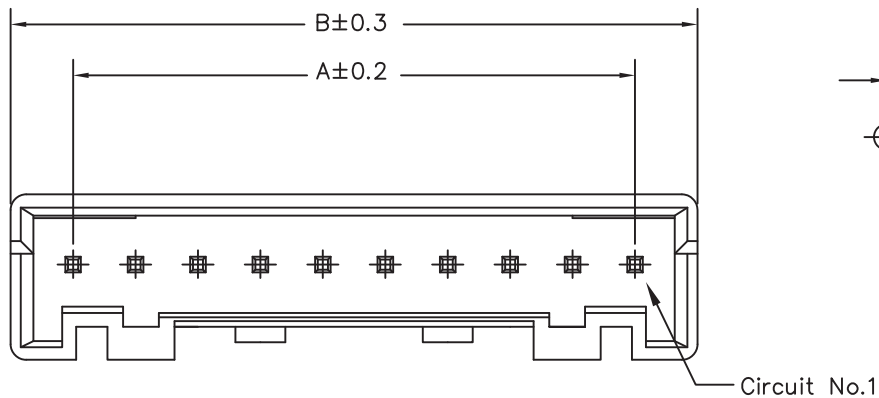


ORDER INFORMATION

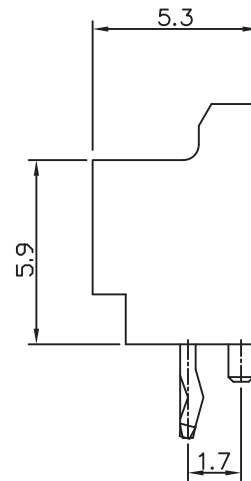
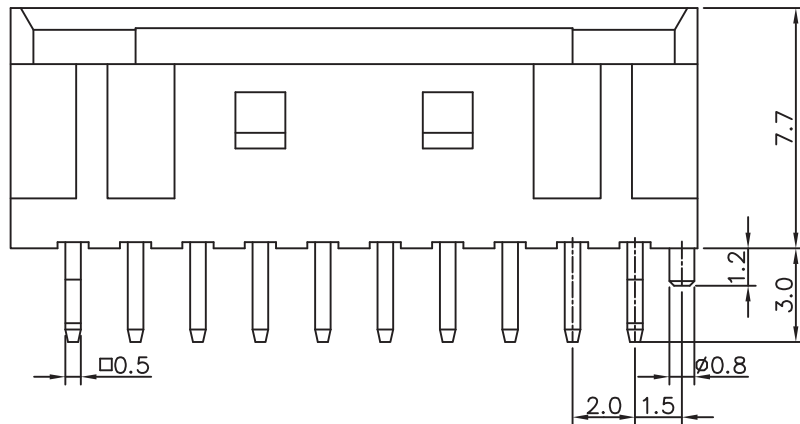
PA-DP-xx-LF
SERIES | T LEADFREE
| 02~15WAY
POST
DIP 180°

DESCRIPTION: 2.0mm Wire-to-Board Header DIP 180° Type

(10 to 15 circuits)



RECOMMENDED P.C.BOARD HOLE DIMM.



Specifications

Current Rating: 3A AC/ DC (Max)AWG#22
 Voltage Rating: 250V AC/ DC
 Temperature Range: -25°C ~ + 85°C
 Contact Resistance: 20mΩ Max
 Insulation Resistance: 1000MΩ Min
 Withstand Voltage:800V AC/Minute
 Pin Material: Brass/ Tin-plated
 Wafer Material: Glass-filled PBT,UL94V-0,natural

Poles	Dimension mm (in.)		Part No.
	A	B	
10	18.0(0.709)	22.0(0.866)	PA-DP-10
11	20.0(0.787)	24.0(0.945)	PA-DP-11
12	22.0(0.866)	26.0(1.024)	PA-DP-12
13	24.0(0.945)	28.0(1.102)	PA-DP-13
14	26.0(1.024)	30.0(1.181)	PA-DP-14
15	28.0(1.102)	32.0(1.260)	PA-DP-15

RoHS Compliant

TOLERANCES ARE

MORETHANALL
 PCB CONNECTORS
 Cable ASSEMBLIES

煜倫股份有限公司

www.morethanall.com

DRAWING BY CY

CHECKED BY GENIUS

UNIT/ mm

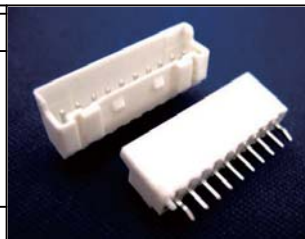
SCALE 1:1

DATE

SIZE A4

PJECTION

X, ±
 .X ±
 .XX ±
 .XXX ±
 ANG ±



ORDER INFORMATION

PA-DP-xx-LF
 SERIES | T LEADFREE
 | | 02~15WAY
 | | POST
 | | DIP 180°

DESCRIPTION: 2.0mm Wire-to-Board Header DIP 180° Type