

PCB LAYOUT/TOP VIEW

※凡標註 △ 記號者為品管管制尺寸。

MATERIALS:

PLASTIC HOUSING: HIGH TEMP. THERMOPLASTIC
FLAMMABILITY RATING UL 94V-0.

CONTACTS: PHOSPHOR BRONZE

PLATING: GOLD PLATING OVER NICKEL IN CONTACT.
TIN PLATING OVER NICKEL IN SOLDER AREA.

RoHS Compliant

MORETHANALL
PCB CONNECTORS
Cable ASSEMBLIES

煜倫股份有限公司

www.morethanall.com

DRAWING BY CY

CHECKED BY GENIUS

UNIT/mm SCALE 1:1

DATE

SIZE A4

TOLERANCES ARE

X. ± 0.50

.X ± 0.38

.XX ± 0.25

.XXX ± 0.10

ANG ± 3°

PJECTION



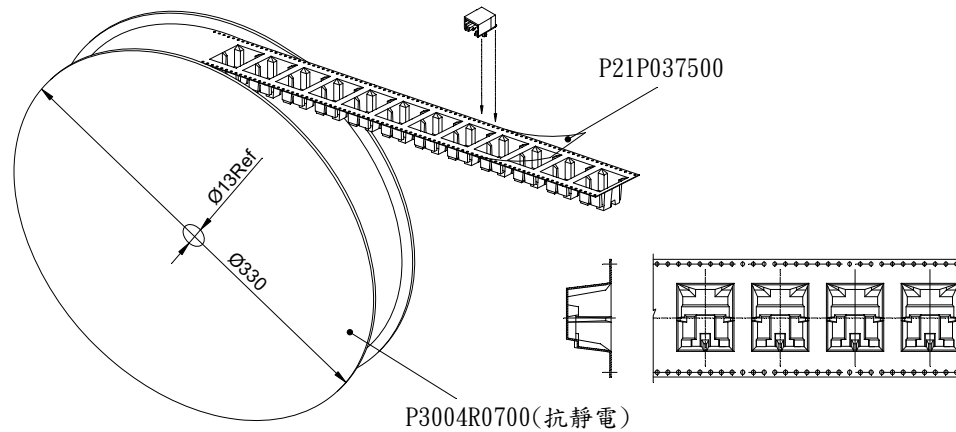
ORDER INFORMATION

MJW11-KX06PR-0606-LF

SERIES REEL POST LEADFREE
BLACK 06u" GOLD NON EAR
6P6C

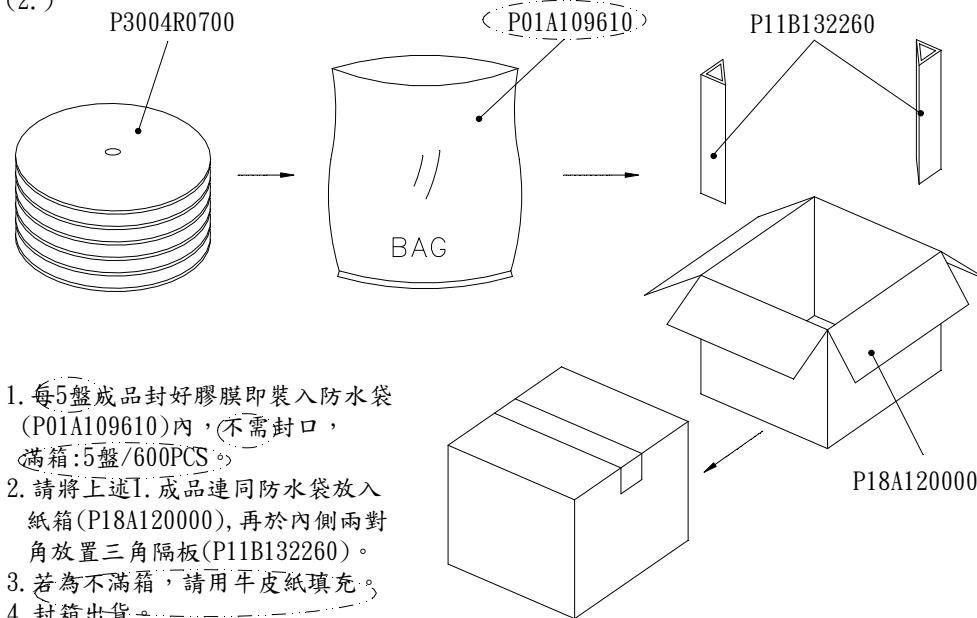
DESCRIPTION:

(1.)



1. 請將組立完成之成品依圖面標示方向順序放入P3004R0700內，前空5格，後空5格，封上 P21P037500，每盤裝120 PCS。(請注意捲帶方向)

(2.)



1. 每5盤成品封好膠膜即裝入防水袋 (P01A109610)內，(不需封口，滿箱:5盤/600PCS)。
2. 請將上述I. 成品連同防水袋放入紙箱(P18A120000)，再於內側兩對角放置三角隔板(P11B132260)。
3. 若為不滿箱，請用牛皮紙填充。
4. 封箱出貨。

RoHS Compliant

TOLERANCES ARE

MORETHANALL
PCB CONNECTORS
Cable ASSEMBLIES

煜倫股份有限公司

www.morethanall.com

DRAWING BY CY

CHECKED BY GENIUS

UNIT/mm SCALE 1:1

DATE

SIZE A4

X. ± 0.50
X. ± 0.38
.XX ± 0.25
.XXX ± 0.10
ANG ± 3°

PJECTION

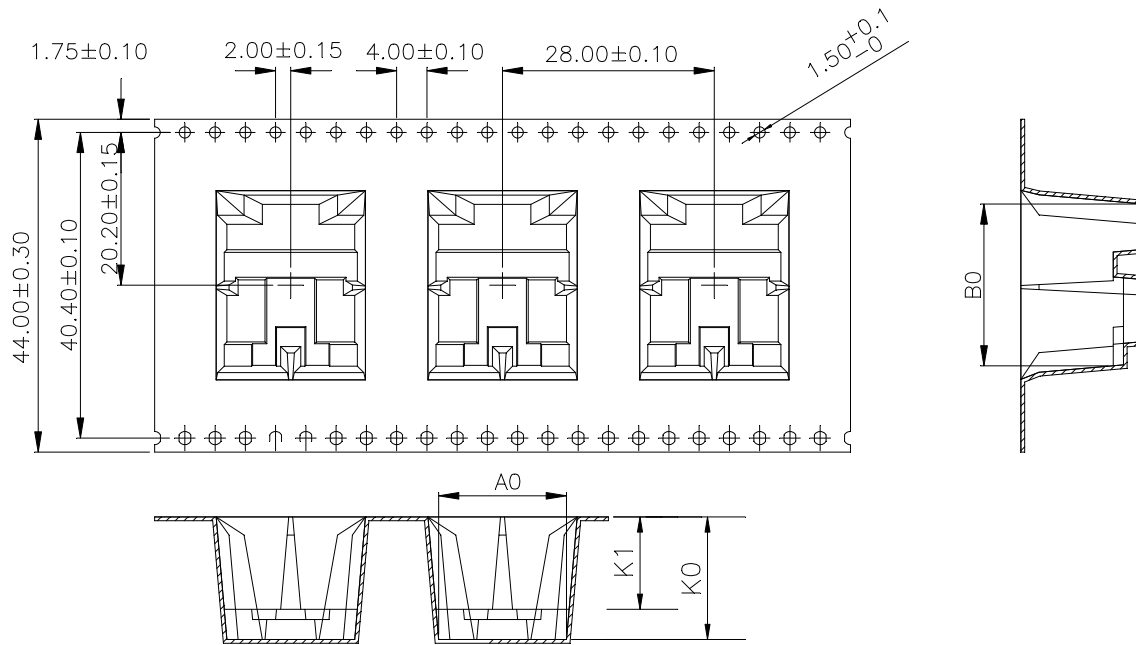


ORDER INFORMATION

MJW11-KX06PR-0606-LF

SERIES REEL POST
BLACK 06u" GOLD NON EAR
LEADFREE
6P6C

DESCRIPTION:



1. 10 sprocket hole pitch cumulative tolerance ±0.20.
2. Carrier camber is within 1 mm in 250mm.
3. Material: Black Conductive Polystyrene Alloy.
4. All dimensions meet EIA-481 requirements.
5. Thickness : 0.50±0.05mm.
6. Packing length per 13" reel: 3.64 Meters(1:1).
7. Component load per 13" reel :130 pcs.

A0	16.10±0.15
B0	21.40±0.15
K0	16.20±0.20
K1	12.20±0.15

適用範圍:

有、無金屬殼(無簧底平)金屬腳直立or折平，有、無塑腳、外掛金屬腳折平or直立。

RoHS Compliant

TOLERANCES ARE

MORETHANALL
PCB CONNECTORS
Cable ASSEMBLIES

DRAWING BY CY

CHECKED BY GENIUS

UNIT/ mm SCALE 1:1

DATE

SIZE A4

X, ± 0.50
X, ± 0.38
.XX ± 0.25
.XXX ± 0.10
ANG ± 3°

P PROJECTION



ORDER INFORMATION

MJW11-KX06PR-0606-LF

SERIES REEL POST
BLACK 06u" GOLD
NON EAR
LEADFREE
6P6C

煜倫股份有限公司

www.morethanall.com

DESCRIPTION: