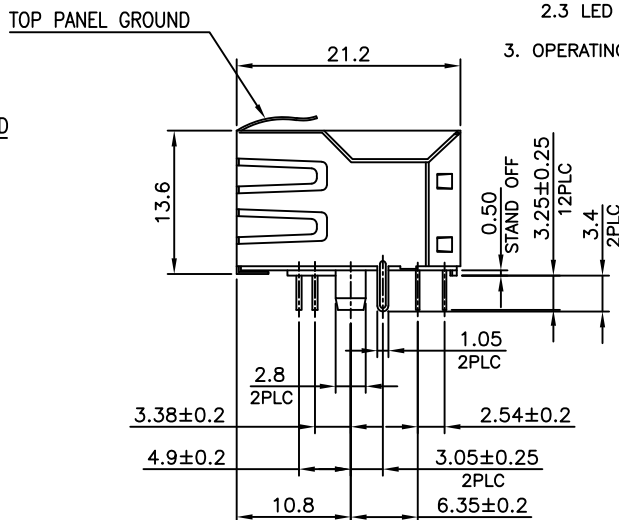
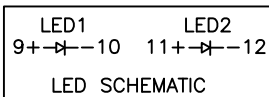
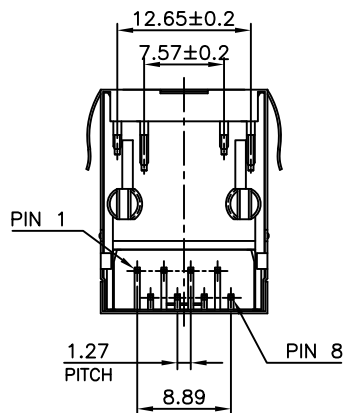
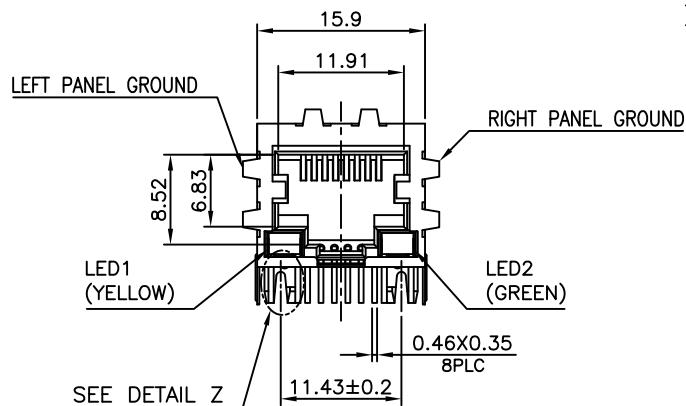
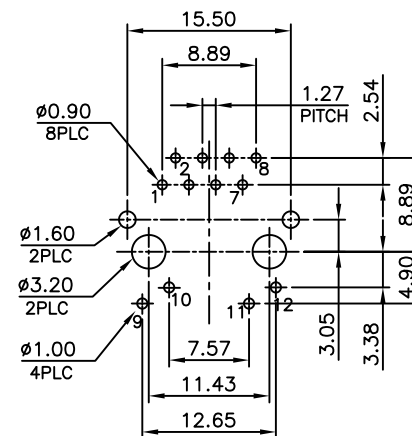


DETAIL Z
SCALE 2:1



NOTE:
CAVITY CONFIRMS TO FCC RULES AND REGULATIONS PART 68, SUBPART F.

1. MATERIAL:
 - 1.1 HOUSING: PBT, WITH GLASS FIBER, UL94V-0, STANDARD COLOR-BLACK.
 - 1.2 INSERT HOUSING: PA46, WITH GLASS FIBER, UL94V-0, STANDARD COLOR-BLACK.
 - 1.3 CONTACTS: PHOSPHOR BRONZE.
 - 1.4 SHELL: BRASS.
 - 1.5 LED SOLDER TAIL: STEEL.
2. FINISH:
 - 2.1 CONTACTS: 0.152μm [6μ] GOLD PLATED ON CONTACT AREA, GOLD FLASH ON SOLDER TAIL, 1.27μm [50μ] MIN. NICKEL UNDERPLATED OVERALL.
 - 2.2 SHELL: 0.508μm [20μ] MIN. NICKEL PLATED.
 - 2.3 LED SOLDER TAIL: 2.032μm [80μ] MIN. TIN PLATED.
3. OPERATING TEMPERATURE -40°C TO 85°C



RECOMMENDED PCB LAYOUT
PCB THICKNESS: 1.6mm
TOLERANCE: ±0.05mm (TOP VIEW)

RoHS Compliant

TOLERANCES ARE

MORETHANALL
PCB CONNECTORS
Cable ASSEMBLIES

DRAWING BY CY

CHECKED BY GENIUS

UNIT / mm

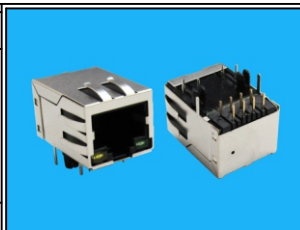
SCALE 1:1

DATE

SIZE A4

PJECTION

X, ±
.X ± 0.25
.XX ± 0.13
.XXX ± 0.05
ANG ±



ORDER INFORMATION

MJF13T25L-KF06B3YG43-0808

SERIES

8P8C

BLACK

06u" GOLD

FULL SPRING

LED1: YELLOW/ LED2: GREEN

REAR TAB 3.05mm

DESCRIPTION: RJ45, FLAT PIN, WITH LED, WITH SHELL, SIDE ENTRY PCB JACK

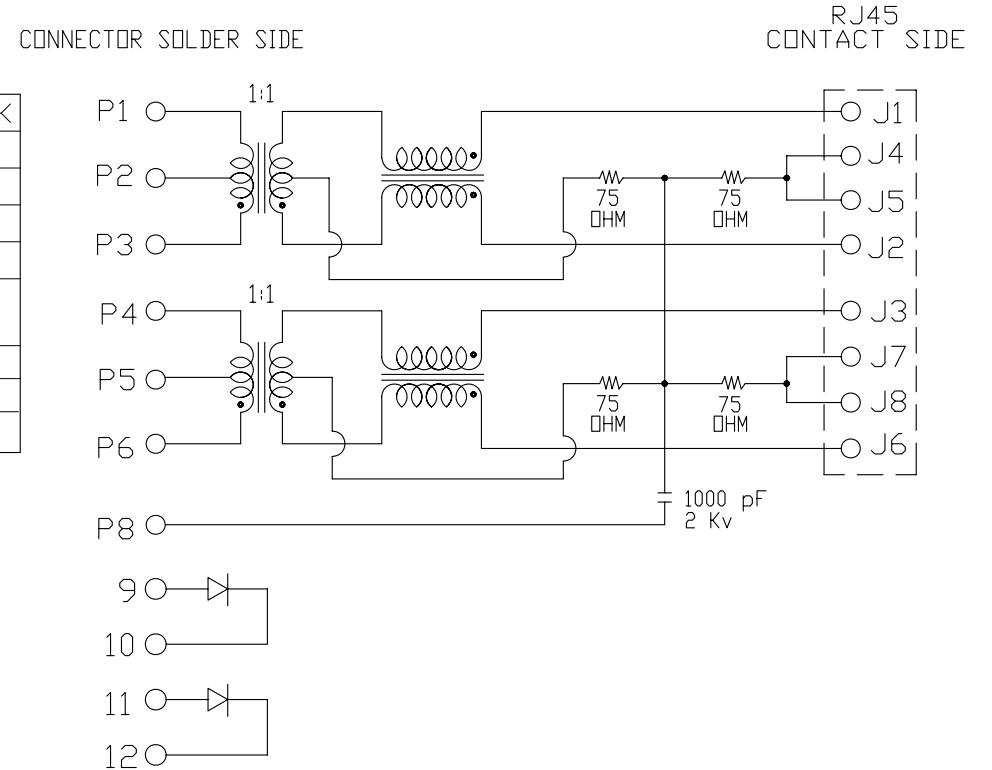
煜倫股份有限公司

www.morethanall.com

TRANSFORMER TYPE I

Specification :

Item	Parameter	Condition	Min.	Typ.	Max.	Unit	REMARK
1	Insertion loss	1-100 MHz			-1	dB	
2	Return loss	1-30 MHz	-20			dB	
		30-60 MHz	-15			dB	
		60-80 MHz	-11			dB	
3	Primary Inductance @100KHz, 0.1Vrms, 8mA DC BIAS	<1-3>, <4-6>	350			μ H	
4	Crosstalk	1-100 MHz	-35			dB	
5	Hipot	Vrms	1.5			kV	
6	COMMON MODE REJECTION	@1-100 MHz	-30			dB	



MORETHANALL
PCB CONNECTORS
Cable ASSEMBLIES

煜倫股份有限公司

www.morethanall.com

RoHS Compliant

TOLERANCES ARE

DRAWING BY CY

X, \pm 0.25

CHECKED BY GENIUS

.XX \pm 0.13

UNIT / mm

SCALE 1 : 1

.XXX \pm 0.05

DATE

ANG \pm

SIZE A4

PPOJECTION



ORDER INFORMATION

MJF13T25L-KF06B3YG43-0808

SERIES

8P8C

BLACK | 06u" GOLD | FULL SPRING | LED1 : YELLOW/ LED2:GREEN
REAR TAB 3.05mm

DESCRIPTION: SPECIFICATION TRANSFORMER TYPE I