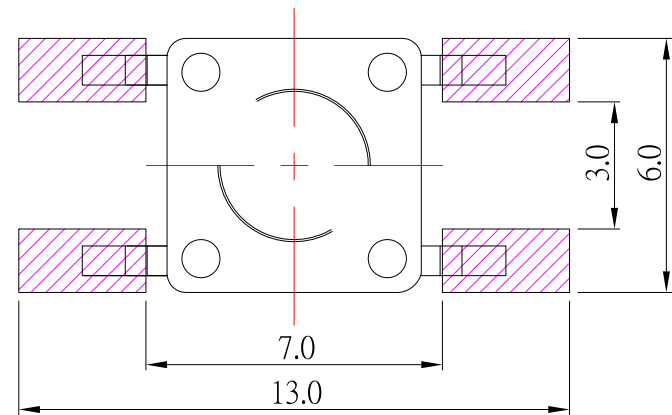


CIRCUIT DIAGRAM



P.C.B MOUNTING PATTERN DIMENSION

The following soldering patterns are recommended for reflow soldering

SPECIFICATIONS

Rating	DC 12V 50mA Max.				
Circuit	1C - 1P				
Contact Resistance	100mΩ Max.				
Travel	0.25 ± 0.1mm				
Operating Force	1	2	3	4	5
	130 ± 30gf	160 ± 50gf	260 ± 50gf	320 ± 50gf	520 ± 50gf
Operating Life (cycles)	100,000			80,000	
* STEM COLOR : Gray					

MODEL NO.	100
H (mm)	10.00
φA (mm)	3.00

RoHS Compliant

TOLERANCES ARE

MORETHANALL
Cable CONNECTORS
Cable ASSEMBLIES

煜倫股份有限公司

www.morethanall.com

DRAWING BY CY

CHECKED BY GENIUS

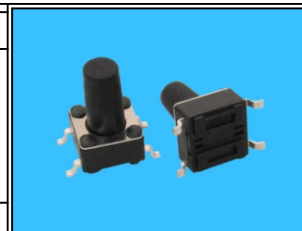
UNIT / mm SCALE 1 : 1

DATE

SIZE A4

PJECTION

Up to 5 ±0.2
Above 5 ~ 15 ±0.3
Above 15 ~ 30 ±0.4
Above 30 ~ 50 ±0.5
Angle ±0.3°



ORDER INFORMATION

TSW66-V100-xxx-LF

SERIES | LEADFREE

180°SMT

130:130g
160:160g
260:260g
320:320g
520:520g
HIGH 10.0mm

DESCRIPTION: TACT SWITCH