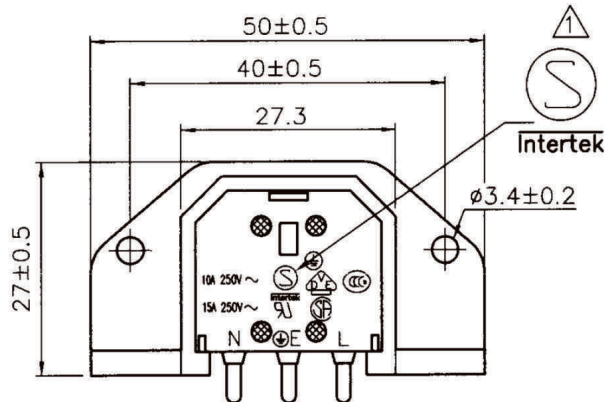
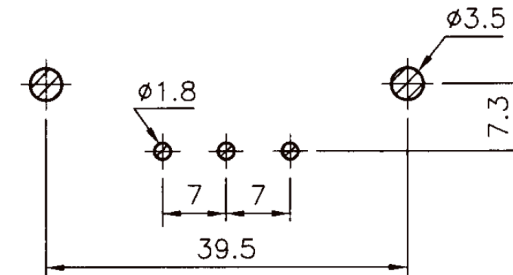
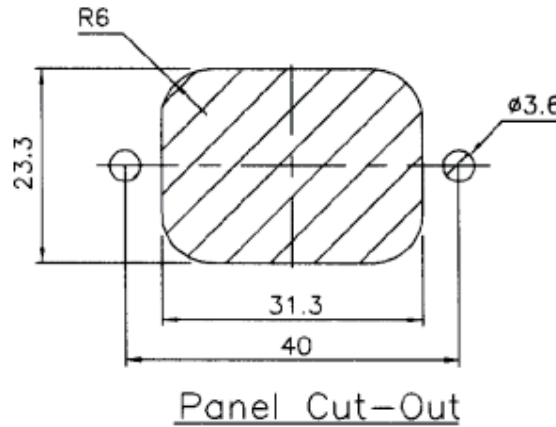
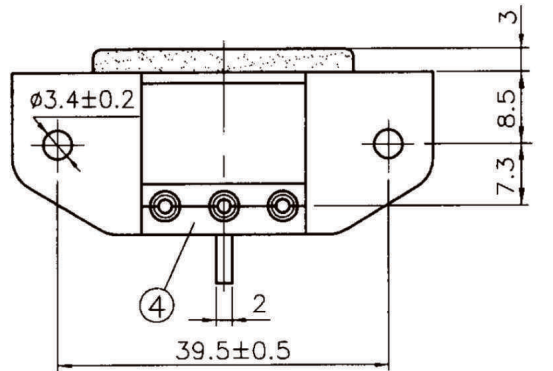


Standard: IEC 320 C14
 Rating: 15A 250V AC
 Approvals: UL/CSA

Rating: 10A 250V AC
 Approvals: VDE/SEMKO/CCC



RoHS Compliant

TOLERANCES ARE

MORETHANALL
 PCB CONNECTORS
 Cable ASSEMBLIES

煜倫股份有限公司

www.morethanall.com

DRAWING BY CY

CHECKED BY GENIUS

UNIT/ mm

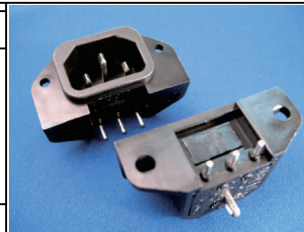
SCALE 1:1

DATE

SIZE A4

P PROJECTION

X, ±
 .X ± 0.20
 .XX ± 0.10
 .XXX ±
 ANG ±



ORDER INFORMATION

ACF-PRPE-03-LF



DESCRIPTION: