

Note:

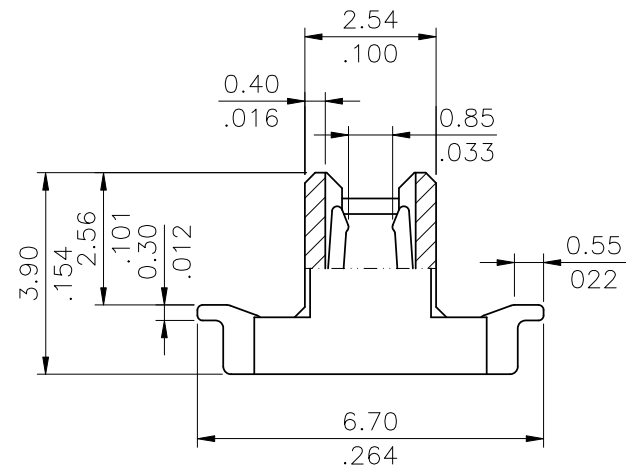
\*Material:

Base: High temperature plastic

UL 94V-0, Color Nature

Contact: Copper alloy

\*For Lead Free IR Processes  
and Halogen-Free



RoHS Compliant

TOLERANCES ARE

**MORETHANALL**  
PCB CONNECTORS  
Cable ASSEMBLIES

DRAWING BY CY

CHECKED BY GENIUS

UNIT / mm

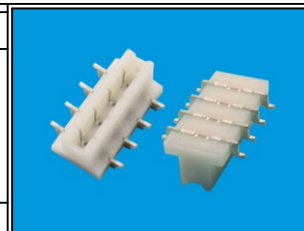
SCALE 1 : 1

DATE

SIZE A4

PJECTION

X, ±  
.X ± 0.25  
.XX ± 0.15  
.XXX ± 0.05  
ANG ±



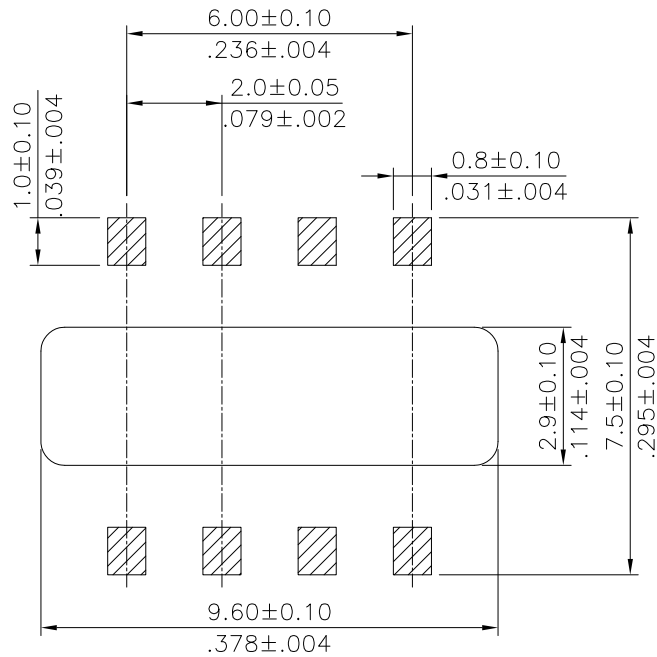
ORDER INFORMATION

E20-Z39X-04-LF  
SERIES | | | LEADFREE  
| | | 04 WAY  
| | | NON POST  
| | | HIGH 3.9mm  
| | | BOTTOM ENTRY SMT

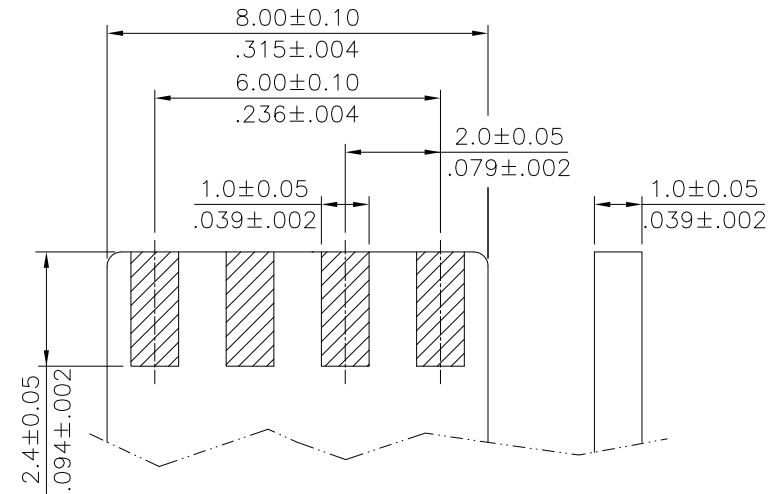
煜倫股份有限公司

www.morethanall.com

DESCRIPTION:



Recommended P.C. Board Layout



Accommodated P.C.B

RoHS Compliant

TOLERANCES ARE

**MORETHANALL**  
PCB CONNECTORS  
Cable ASSEMBLIES

煜倫股份有限公司

www.morethanall.com

DRAWING BY CY

CHECKED BY GENIUS

UNIT / mm

SCALE 1 : 1

DATE

SIZE A4

PPOJECTION

X, ±  
.X ± 0.25  
.XX ± 0.15  
.XXX ± 0.05  
ANG ±

照片框

ORDER INFORMATION

E20-Z39X-04-LF  
SERIES | | | | LEADFREE  
| | | | 04 WAY  
| | | | NON POST  
| | | | HIGH 3.9mm  
| | | | BOTTOM ENTRY SMT

DESCRIPTION: