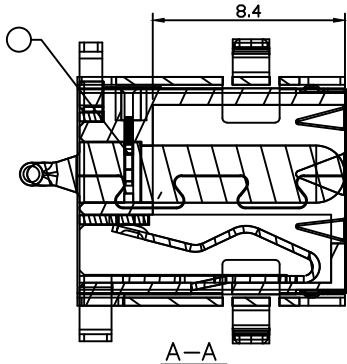
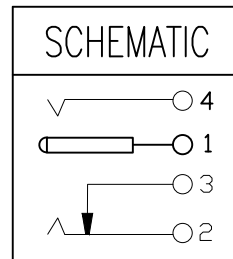


T:1.6 Dimensions of PC board holes
Tolerance : ±0.05(Printed-top view)



UNLESS OTHERWISE SPECIFIED, TOLERANCE ON DECIMAL:±0.3



7	FLAT PIECE	1	SUS301	
6	HOUSING	1	PA9T	UL-94V0(BLACK)
5	SHIELD	1	SUS301	t=0.10
4	CONTACT FOOT	1	C2680	t=0.35 Ni PLATED
3	CURVE PIECE	1	C2680	t=0.40 Ag PLATED
2	SPRING PIECE	1	C5191	t=0.30 Ag PLATED
1	PIN	1	H59(COPPER ALLOY)	Ni PLATED
LTR	PART NAME	QTY	MATERIAL	REMARK

RoHS Compliant

TOLERANCES ARE

MORETHANALL
PCB CONNECTORS
Cable ASSEMBLIES

DRAWING BY CY

X.±

CHECKED BY GENIUS

.X±

UNIT / mm

SCALE 1 : 1

.XX±

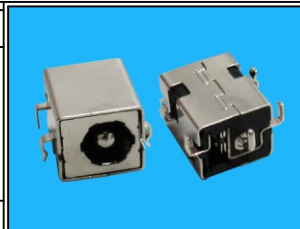
DATE

.XXX±

ANG ±

SIZE A4

PJECTION



ORDER INFORMATION

DCJ-RF-25-LF
SERIES | LEADFREE
2.5Ø
OFFSET
DIP 90°

煜倫股份有限公司

www.morethanall.com

DESCRIPTION: DC POWER JACK