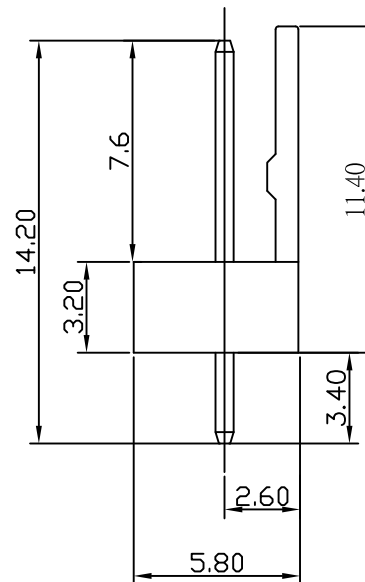
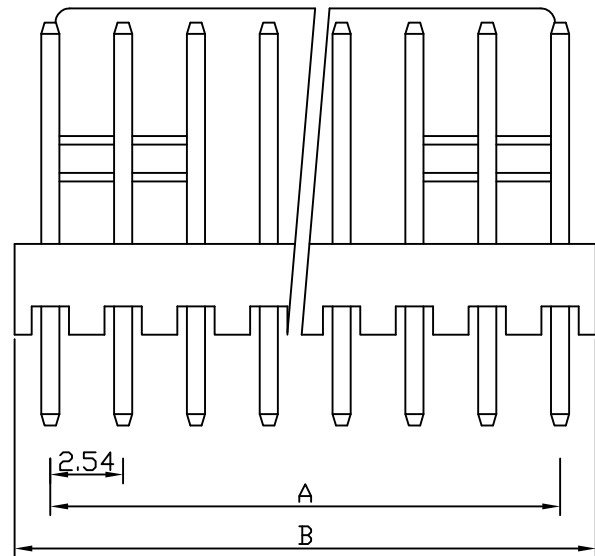
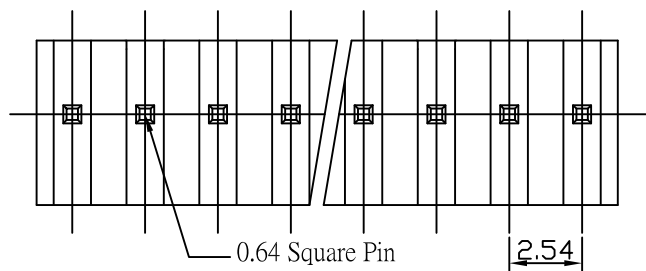


Specifications

Current Rating: 3A AC, DC
 Voltage Rating: 250 AC Maximum
 Operating Temp: -25°C ~ + 85°C
 Contact Resistance: 20MΩ Max
 Insulation Resistance: 1000MΩ Min
 Withstanding Voltage: 1000V AC/minute
 Terminal Material: Brass/ Tin-plated
 Material: Nylon 66, UL94V-2



Poles	Dimension mm (in.)		Part No.
	A	B	
2	2.54(0.100)	5.12(0.202)	MK-D-02
3	5.08(0.200)	7.66(0.302)	MK-D-03
4	7.62(0.300)	10.20(0.402)	MK-D-04
5	10.16(0.400)	12.74(0.502)	MK-D-05
6	12.70(0.500)	15.30(0.602)	MK-D-06
7	15.24(0.600)	17.94(0.706)	MK-D-07
8	17.78(0.700)	20.48(0.806)	MK-D-08
9	20.32(0.800)	23.02(0.906)	MK-D-09
10	22.86(0.900)	25.58(1.007)	MK-D-10
11	25.40(1.000)	28.12(1.107)	MK-D-11
12	27.94(1.100)	30.68(1.208)	MK-D-12
13	30.48(1.200)	33.10(1.303)	MK-D-13
14	33.02(1.300)	35.80(1.409)	MK-D-14
15	35.56(1.400)	38.34(1.509)	MK-D-15
16	38.10(1.500)	40.94(1.612)	MK-D-16
17	40.64(1.600)	43.30(1.705)	MK-D-17
18	43.18(1.700)	45.90(1.807)	MK-D-18
19	45.72(1.800)	48.56(1.912)	MK-D-19
20	48.26(1.900)	50.80(2.000)	MK-D-20



註
 2P-10P公差值為±0.25mm
 11P-20P公差值為±0.35mm

RoHS Compliant

TOLERANCES ARE

MORETHANALL
 PCB CONNECTORS
 Cable ASSEMBLIES

DRAWING BY CY

CHECKED BY GENIUS

UNIT/ mm

SCALE 1:1

DATE

SIZE A4

PJECTION

X, ±
 .X ± 0.35
 .XX ± 0.25
 .XXX ±
 ANG ±



ORDER INFORMATION

MK-D-xx-LF
 SERIES | LEADFREE
 02-20WAY
 DIP180°

煜倫股份有限公司

www.morethanall.com

DESCRIPTION: 2.54mm Wire-to-Board Header DIP 180° Type