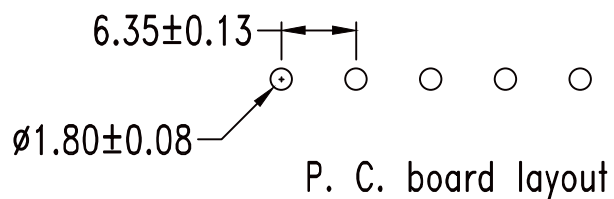
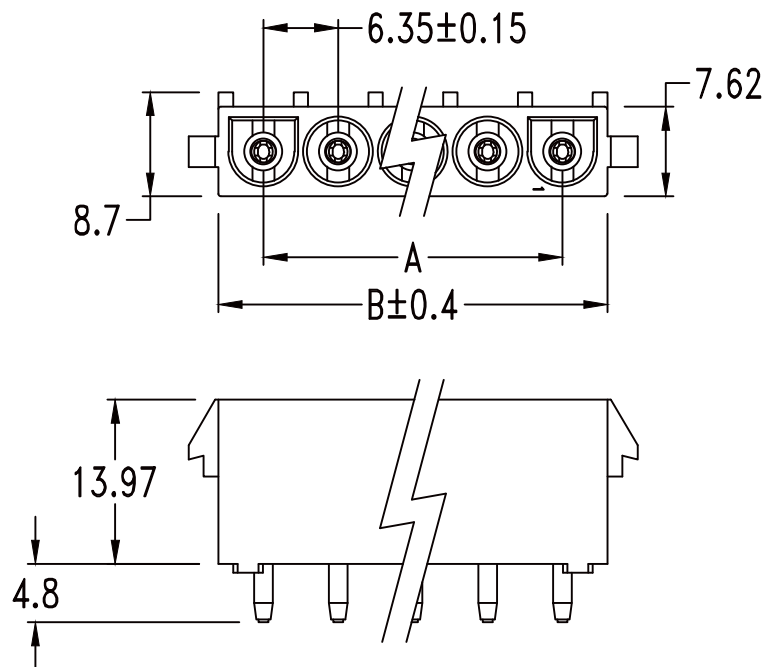


Single Row



Ordering Information

Part No.	Feature	Material
Circuits		
2	UL-PDXG01-1X02	UL 94V-2
3	UL-PDXG01-1X03	
4	UL-PDXG01-1X04	
5	UL-PDXG01-1X05	
6	UL-PDXG01-1X06	
7	UL-PDXG01-1X07	
8	UL-PDXG01-1X08	
9	UL-PDXG01-1X09	
10	UL-PDXG01-1X10	

Dimensional Information (mm)

Circuits	Dim. A	Dim. B	Circuits	Dim. A	Dim. B
2	6.35	13.97	7	38.10	45.72
3	12.70	20.32	8	44.45	52.07
4	19.05	26.67	9	50.80	58.42
5	25.40	33.02	10	57.15	64.77
6	31.75	39.37			

RoHS Compliant

TOLERANCES ARE

MORETHANALL
PCB CONNECTORS
Cable ASSEMBLIES

DRAWING BY CY

X. \pm

CHECKED BY GENIUS

.X \pm

UNIT / mm

SCALE 1 : 1

.XX \pm

DATE

.XXX \pm

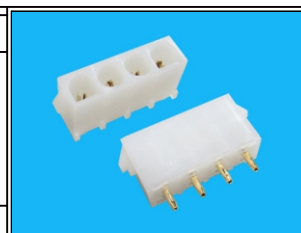
ANG \pm

煜倫股份有限公司

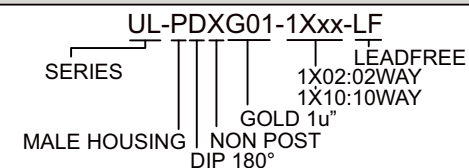
www.morethanall.com

SIZE A4

P PROJECTION



ORDER INFORMATION



DESCRIPTION: