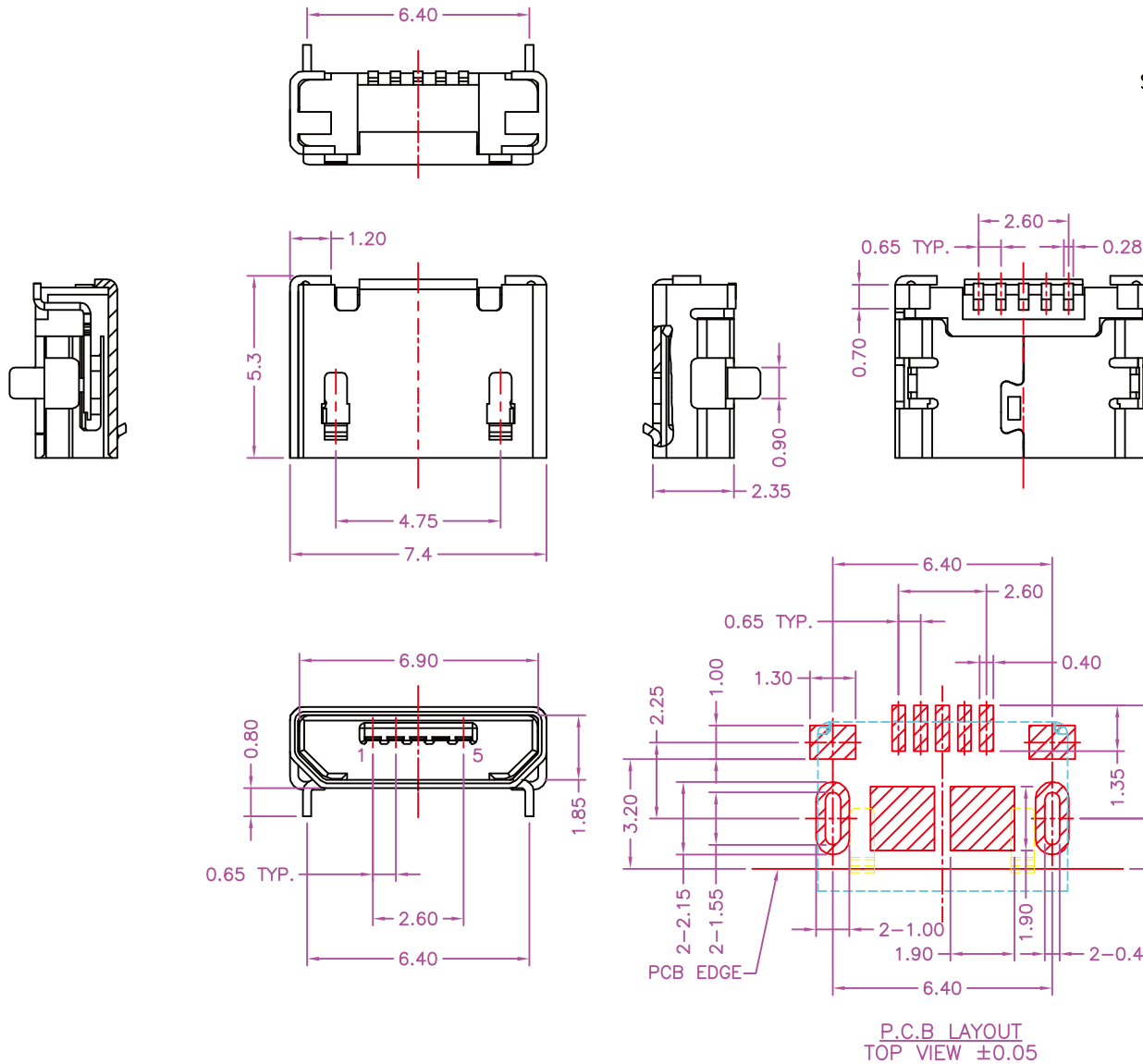


MATERIALS

HOUSING: HI-TEMP. PLASTIC (UL 94V-0), BLACK
 SHELL: COPPER ALLOY, NICKEL PLATING
 TERMINAL: COPPER ALLOY, GOLD PLATING

SPECIFICATION

CURRENT RATING: 1.8 AMP MAX (ONLY PIN 1, 5), OTHER 1 AMP MAX
 DIELECTRIC WITHSTANDING: 100V AC FOR ONE MINUTE
 CONTACT RESISTANCE: 30m OHMS MAX
 INSULATION RESISTANCE: 100M OHMS MIN AT DC 500V
 OPERATION TEMPERATURE: -20°C~+105°C



MORETHANALL
 PCB CONNECTORS
 Cable ASSEMBLIES

煜倫股份有限公司

www.morethanall.com

RoHS Compliant

DRAWING BY CY

CHECKED BY GENIUS

UNIT / mm

SCALE 1 : 1

DATE

SIZE A4

TOLERANCES ARE

X, ±
 X ± 0.30
 .XX ± 0.20
 .XXX ± 0.10
 ANG ± 5°

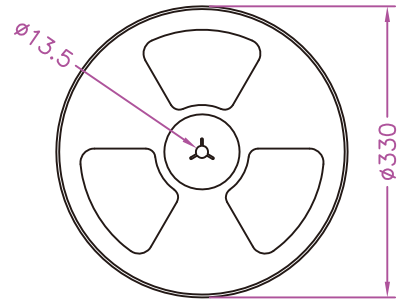
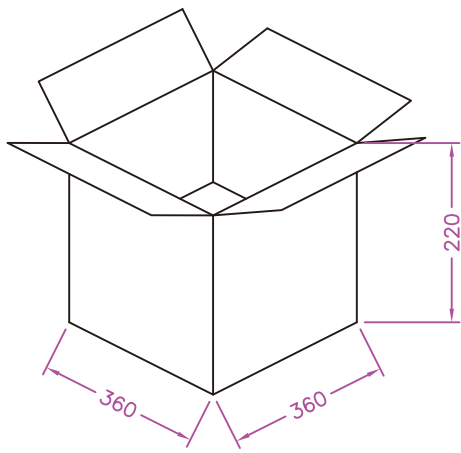
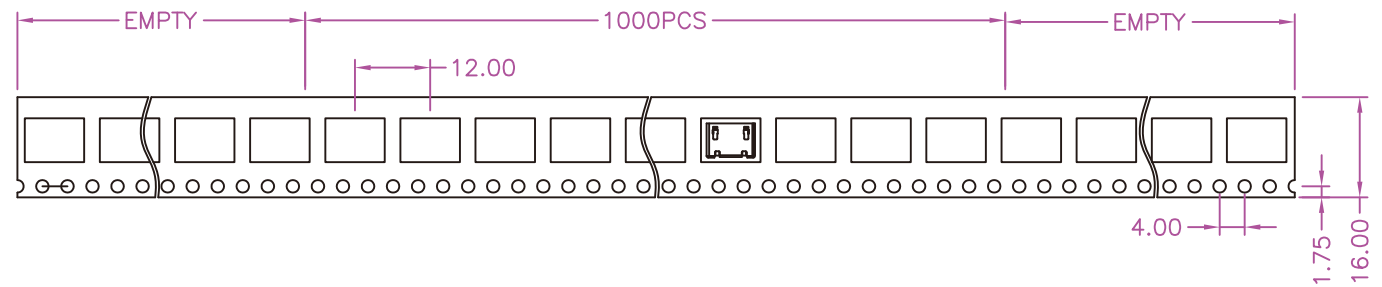
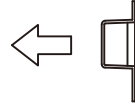
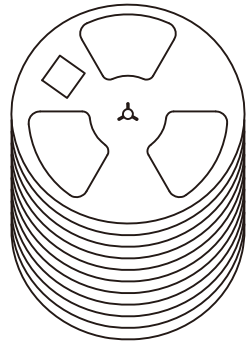
P PROJECTION



ORDER INFORMATION

MISB-SWMER-5B-LF
 SERIES | | | | | LEADFREE
 5 PIN B TYPE
 REEL
 EAR
 FEMALE | METAL FOOT
 90°SMT

DESCRIPTION: MICRO USB B TYPE, PCB MOUNT, SMT, METAL SHIELD FEMALE



NOTE: 1000PCS/ REEL, 10000PCS/ 10 REELS/ CARTON

RoHS Compliant

TOLERANCES ARE

MORETHANALL
PCB CONNECTORS
Cable ASSEMBLIES

DRAWING BY CY

X, ±
.X ± 0.30

CHECKED BY GENIUS

.XX ± 0.20

UNIT / mm

SCALE 1 : 1

.XXX ± 0.10

DATE

ANG ± 5°

SIZE A4

PPOJECTION



ORDER INFORMATION

MISB-SWMER-5B-LF
 SERIES | REEL | LEADFREE
 | | | 5 PIN B TYPE
 FEMALE | EAR | METAL FOOT
 | | | 90°SMT

煜倫股份有限公司

www.morethanall.com

DESCRIPTION: MICRO USB B TYPE, PCB MOUNT, SMT, METAL SHIEL FEMALE