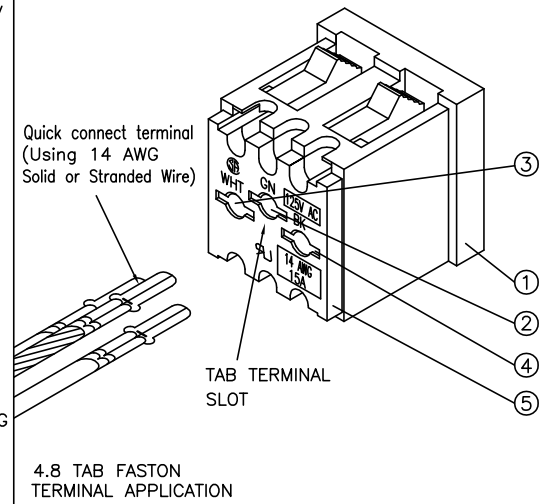
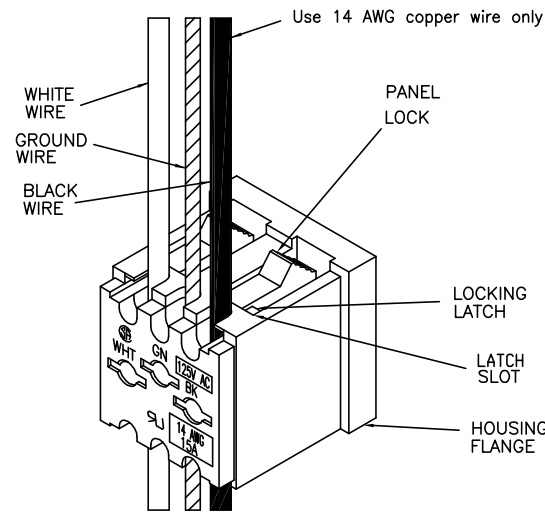


PANEL CUTOUT
THICKNESS 0.8~1.8 mm

NOTE: THIS ILLUSTRATION PERTAINS TO SOLID WIRE APPLICATIONS ONLY

Rating : 15A 125V AC
Approvals : UL/CSA

SINGLE SOCKET



5	Back cover Material NYLON 66	1
4	Contact PIN Brass Strip t=0.4mm	1
3	Contact PIN Brass Strip t=0.4mm Ni-Plated	1
2	Contact PIN Brass Strip t=0.4mm	1
1	Body Material NYLON 66	1

RoHS Compliant

TOLERANCES ARE

MORETHANALL
PCB CONNECTORS
Cable ASSEMBLIES

DRAWING BY CY

X. ± 0.40

CHECKED BY GENIUS

.X ± 0.30

UNIT / mm

SCALE 1 : 1

.XX ± 0.10

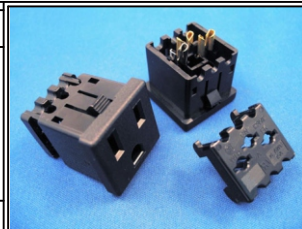
DATE

.XXX ±

ANG ± 1°

SIZE A4

PPOJECTION



ORDER INFORMATION

ACU-S114PA-03-LF

SERIES | | | LEADFREE
| | | 03 WAY
| | | PANEL FRONT
| | | 14 AWG
| | | SOCKET IDC

煜倫股份有限公司

www.morethanall.com

DESCRIPTION: