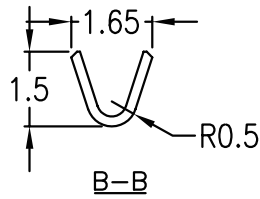
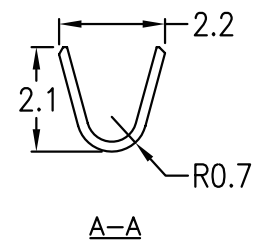
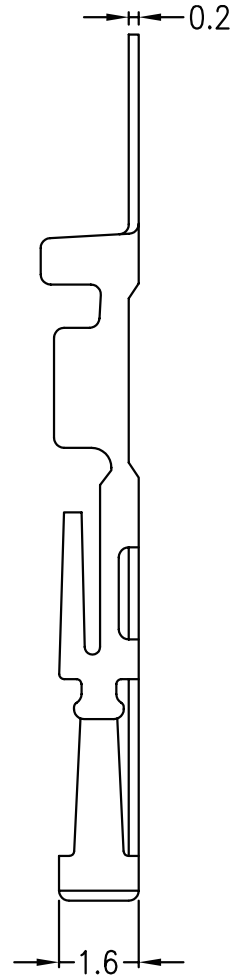
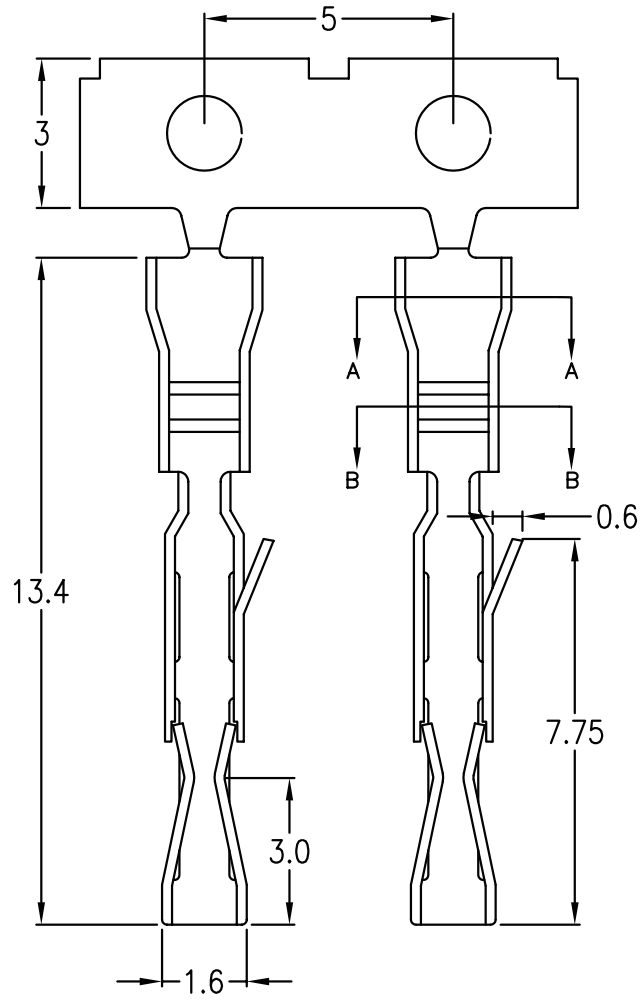


# SPECIFICATIONS

Material  
 Contact: phosphor Bronze  
 Wire Range: AWG#24-28  
 Insulation O.D.: 0.8-1.5mm



**RoHS Compliant**

TOLERANCES ARE



煜倫股份有限公司

www.morethanall.com

DRAWING BY CY

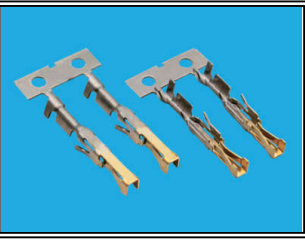
CHECKED BY GENIUS

UNIT / mm SCALE 1:1

DATE

SIZE A4 PPROJECTION

X, ±  
 .X ±  
 .XX ±  
 .XXX ±  
 ANG ±



**ORDER INFORMATION**

HE14-TG-24-LF  
 SERIES | LEADFREE  
 | 24~28AWG  
 | GOLD PLATE  
 | TERMINAL

DESCRIPTION: 2.54MM CRIMP TERMINAL