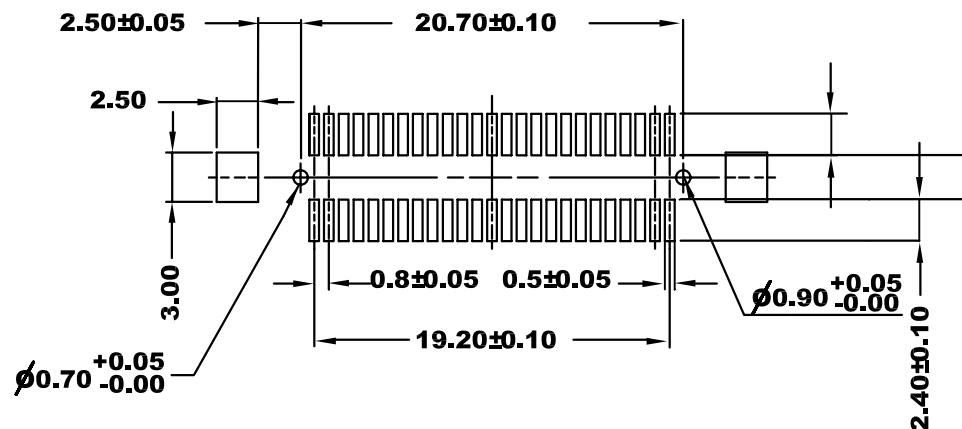
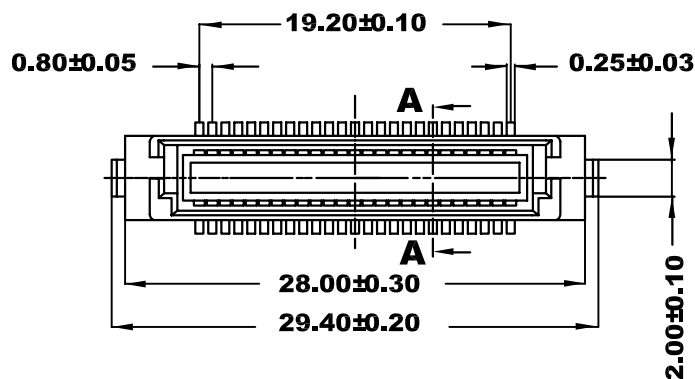


Section A-A



Stacking Height Code	h	H
JKX-S26-050	2.60	4.20
JKX-S33-050	3.30	4.90
JKX-S49-050	4.95	6.55

Materials
Contact:Phosphor bronze,gold plating all over,nickel under plated.
Retainer:Phosphor bronze,tin plated.
Insulator:Glass-filled LCP/Black,UL94V-0.

Rating
Current Rating:0.5Amps.
Operating Temperature:-40 to +85°C.
Contact Resistance:70 mill OHM max.

Electrical
Terminal resistance:70 mill OHM maximum.
Insulation resistance:100 mega OHM minimum.
Dielectric withstanding voltage:500 VAC rms.(for one minute).

RoHS Compliant

TOLERANCES ARE

MORETHANALL
 PCB CONNECTORS
 Cable ASSEMBLIES

煜倫股份有限公司

www.morethanall.com

DRAWING BY CY

CHECKED BY GENIUS

UNIT / mm

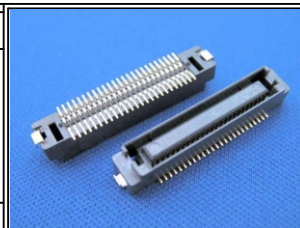
SCALE 1 : 1

DATE

SIZE A4

PPOJECTION

X, ±
 .X ± 0.30
 .XX ± 0.20
 .XXX ± 0.10
 ANG ±



ORDER INFORMATION

JKX-Sxx-050-LF
 SERIES | LEADFREE
 50 WAY
 26:UNMATED HIGH 2.6mm
 495:UNMATED HIGH 4.95mm
 MALE

DESCRIPTION: 0.80mm PITCH BOARD TO BOARD 50 PIN VERTICAL SMT