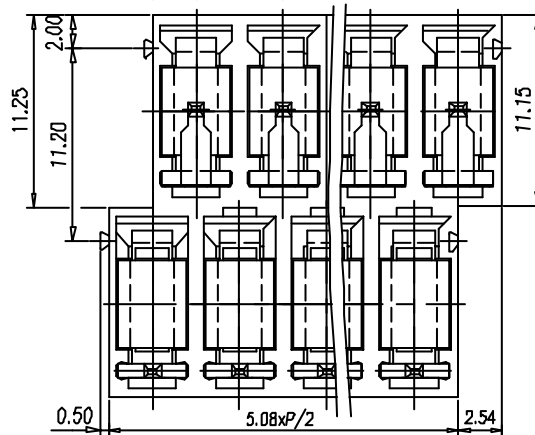


P.C.B. LAYOUT(REF)

NOTES:

- ③ 1. Rating: 300V 25A (IEC 250V 32A)
PITCH: 5.08mm
- 2. Insulation Withstands Voltage:
AC 1500V/MIN
- 3. Insulation Resistance:
500M Ω or more at DC500V
- 4. Using Temperature Range:
-40 $^{\circ}$ C~+105 $^{\circ}$ C
- 5. Screw Torque Value: 4kgf-cm
- 6. Suitable Electric Wire: AWG 24~12
(IEC 4mm 2)



5	SOLDER PIN 2		F/2	COPPER	Sn Plated
4	SOLDER PIN 1		F/2	COPPER	Sn Plated
3	WIRE CAGE		P	STEEL	M2.5/Zn Plated
2	SCREW		P	STEEL	M2.5/Zn Plated
1	HOUSING			PA66(V2)	GREEN
ITEM	NAME OF PART	NO. OF PART	Q'TY	MATERIAL	NOTES

RoHS Compliant

TOLERANCES ARE

MORETHANALL
PCB CONNECTORS
Cable ASSEMBLIES

DRAWING BY CY

X, \pm
X \pm 0.20

CHECKED BY GENIUS

.XX \pm 0.10

UNIT / mm

SCALE 1 : 1

.XXX \pm

DATE

ANG \pm

煜倫股份有限公司

www.morethanall.com

SIZE A4

P PROJECTION



ORDER INFORMATION

TBHO51B1-D18R-xx-LF

SERIES

DIP 180 $^{\circ}$
HIGH 18.0mm

LEADFREE
POS PER ROW
02:02 WAY
24:24 WAY
R TYPE FOOT

DESCRIPTION: