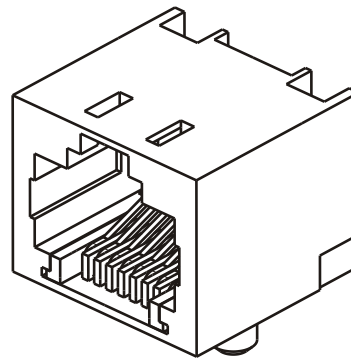
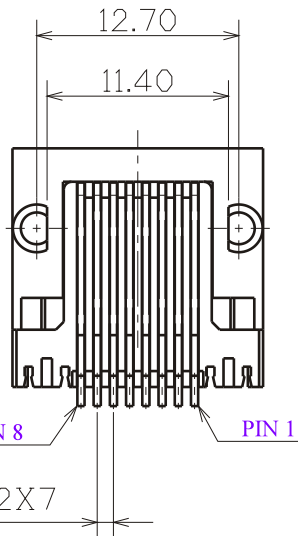


PCB LAYOUT (TOP VIEW)



Material

Housing : 9T Polyester UL-94V-0 Mixed Glass Fiber.

Standard Color Fiber.

Contact : 0.35mm Thick Phosphor Bronze Plated With Nickel.

Contact Plated : Gold 3u".

Shield : 0.25mm Thick Copper Alloy Plated With Nickel.

Electrical:

1. Current Rating : 1.5 A.
2. Voltage Rating : 150 VAC.
3. Contact Resistance : 30mΩ Max..
4. Insulation Resistance : 500MΩ Min.
5. Dielectric Withstanding Voltage : 500 VAC 1minute..

RoHS Compliant

TOLERANCES ARE

MORETHANALL
PCB CONNECTORS
Cable ASSEMBLIES

煜倫股份有限公司

www.morethanall.com

DRAWING BY CY

CHECKED BY GENIUS

UNIT / mm

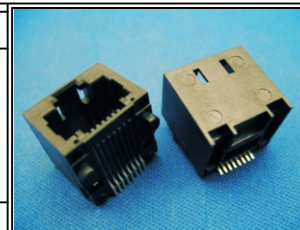
SCALE 1 : 1

DATE

SIZE A4

PJECTION

X. ±
.X ±
.XX ±
.XXX ±
ANG ±



ORDER INFORMATION

MJW13U-KX03P-0808-LF

SERIES

8P8C
POST
03u" GOLD
NON EAR
BLACK

LEADFREE

DESCRIPTION: