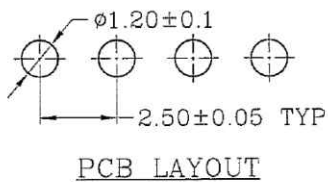
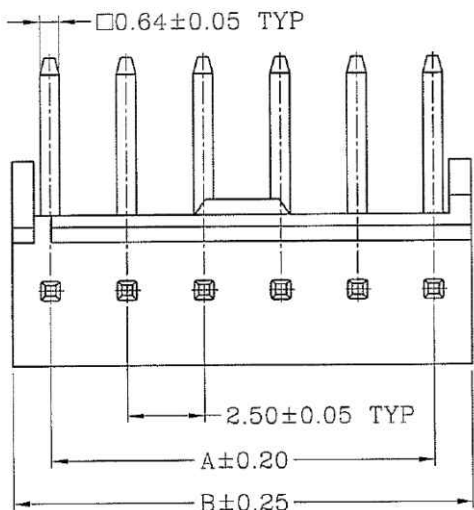


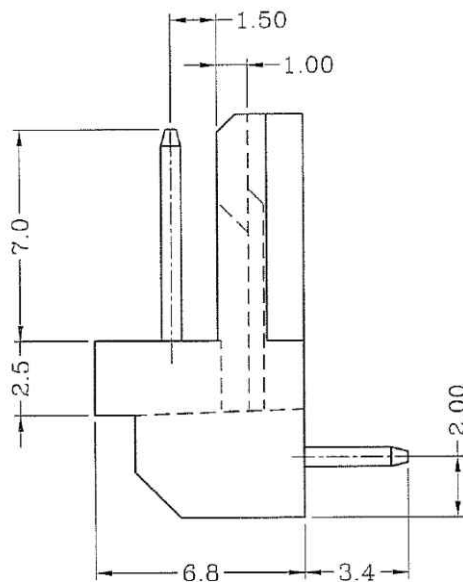
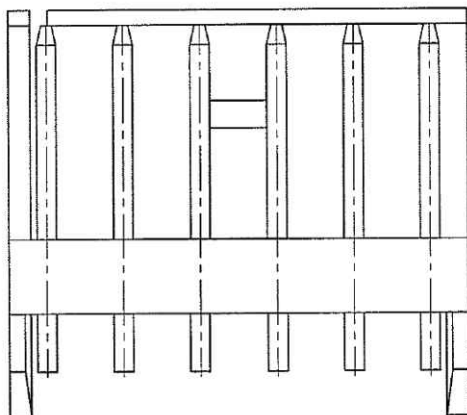
Material: * Insulator: Nylon 66 UL 94V-0 (White)
 * Contact: Brass, Tin plated.



PCB LAYOUT

Dimensional & Ordering Information:

Circuits	Part No	Dimensions		PCS/BAG
		A	B	
2	EI-RB-02	2.5	5.0	1000
3	EI-RB-03	5.0	7.5	
4	EI-RB-04	7.5	10.0	
5	EI-RB-05	10.0	12.5	
6	EI-RB-06	12.5	15.0	
7	EI-RB-07	15.0	17.5	
8	EI-RB-08	17.5	20.0	



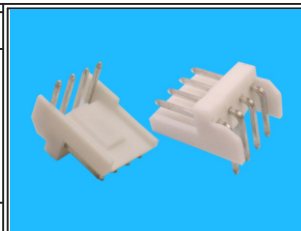
RoHS Compliant

TOLERANCES ARE

MORETHANALL
 PCB CONNECTORS
 Cable ASSEMBLIES

DRAWING BY CY
 CHECKED BY GENIUS
 UNIT / mm SCALE 1:1
 DATE

X, ±
 .X ±
 .XX ±
 .XXX ±
 ANG ±



ORDER INFORMATION

EI-RB-xx-LF
 SERIES | LEADFREE
 | 02~08WAY
 | BASE
 | DIP 90°

煜倫股份有限公司

www.morethanall.com

SIZE A4

PJECTION

DESCRIPTION: