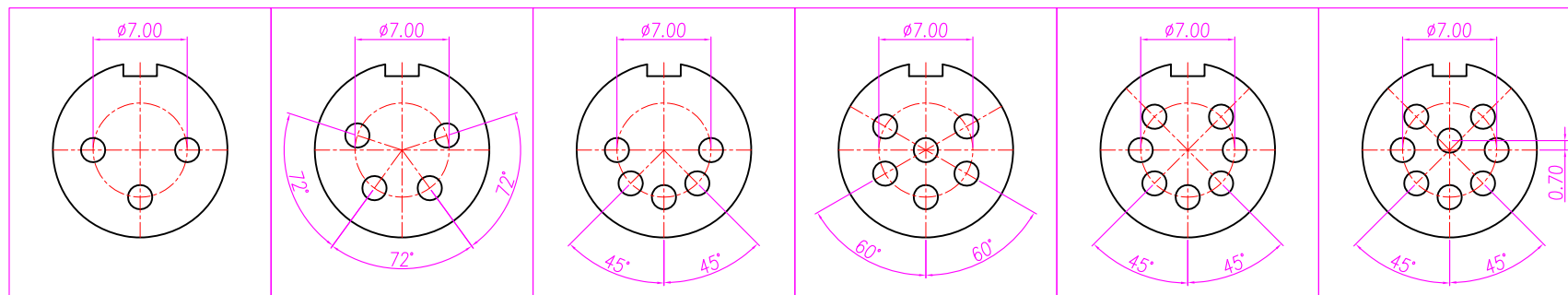


1. MATERIAL :
  - 1-1. HOUSING : NYLON UL94V-0 ; COLOR : BLACK
  - 1-2. CONTACT : BRASS
  - 1-3. MAIN BODY : ZINC ALLOY
  - 1-4. LOCK SHELL : BRASS
  - 1-5. SPRING : STAINLESS
  - 1-6. ISOLATION : PVC
  - 1-7. CLAMPS : ZINC ALLOY
  - 1-8. CLAMPS BODY : ZINC ALLOY
  - 1-9. SCREW : BRASS
  - 1-10. BACK BODY : BRASS
  - 1-11. O-RING : EPDM ; COLOR : BLACK
  - 1-12. GLAND : SILICONE COLOR : BLACK
  - 1-13. GLAND CAGE : POM ; COLOR : WHITE
  - 1-14. GLAND NUT : ALUMINUM ALLOY
2. FINISH :
  - 2-1. CONTACT : GOLD FLASH
  - 2-2. MAIN BODY : NICKEL PLATED
  - 2-3. LOCK SHELL : NICKEL PLATED
  - 2-4. CLAMPS : NICKEL PLATED
  - 2-5. CLAMPS BODY : NICKEL PLATED
  - 2-6. SCREW : NICKEL PLATED
  - 2-7. BACK BODY : NICKEL PLATED
  - 2-8. GLAND NUT : SATING NICKEL PLATED
3. ELECTRICAL SPECIFICATION :
  - 3-1. Rated current : 5A
  - 3-2. Rated Voltage : 250V
  - 3-3. Water proof : IPX7
4. Environmental :
  - 4-1. Operation Temperature : -20 ℃~85℃



DAMS-PAFM-03    DAMS-PAFM-04    DAMS-PAFM-05    DAMS-PAFM-06    DAMS-PAFM-07    DAMS-PAFM-08

RoHS Compliant

TOLERANCES ARE

**MORETHANALL**  
PCB CONNECTORS  
Cable ASSEMBLIES  
**煜倫股份有限公司**

DRAWING BY CY

CHECKED BY GENIUS

UNIT / mm    SCALE 1 : 1

DATE

SIZE A4

X, ±  
.X ± 0.20  
.XX ± 0.10  
.XXX ± 0.05  
ANG ± 1°

PJECTION



ORDER INFORMATION

DAMS-PAFM-xx-LF

SERIES | LEADFREE  
| 03~08WAY  
| FULL METAL  
ASSEMBLY  
MALE

DESCRIPTION: WP DIN (M) Assembly type

www.morethanall.com