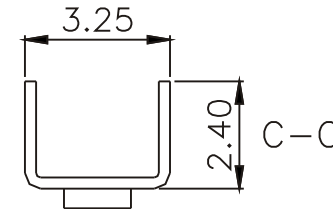
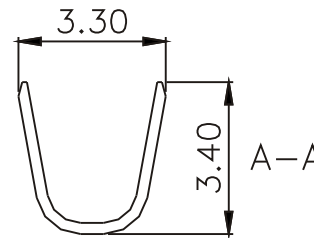
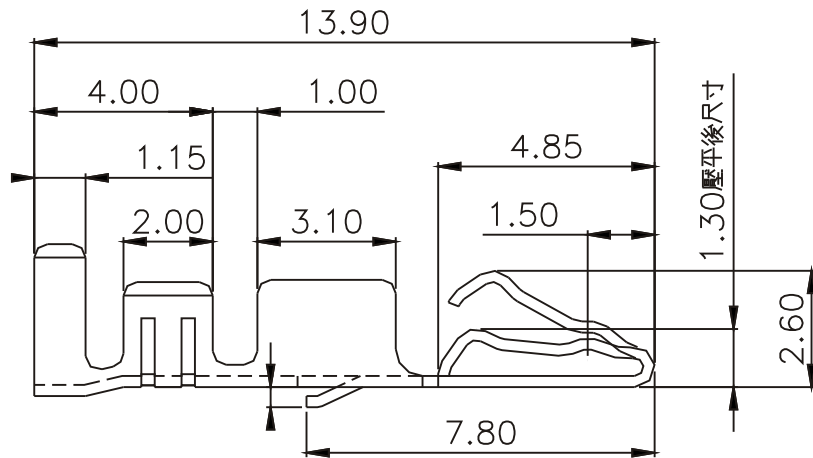


Material: Phosphor bronze
 Electrical rating : UL 30V 8.3A 8.3A, AC/DC
 CSA 30V 3 , AC/DC
 Applicable wire AWG 16-24



RoHS Compliant

TOLERANCES ARE

MORETHANALL
 PCB CONNECTORS
 Cable ASSEMBLIES

DRAWING BY CY

CHECKED BY GENIUS

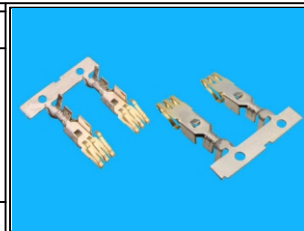
UNIT / mm SCALE 1 : 1

DATE

SIZE A4

X.±
 .X±
 .XX±
 .XXX±
 ANG±

PPOJECTION



ORDER INFORMATION

SATA-FT3-16-LF
 SERIES LEADFREE
 16-24 AWG
 3CTT
 TERMINAL
 FEMALE

煜倫股份有限公司

www.morethanall.com

DESCRIPTION: