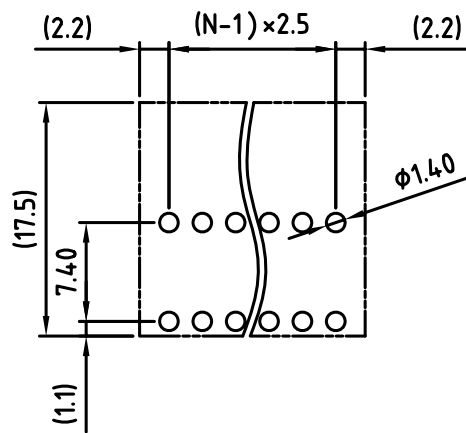
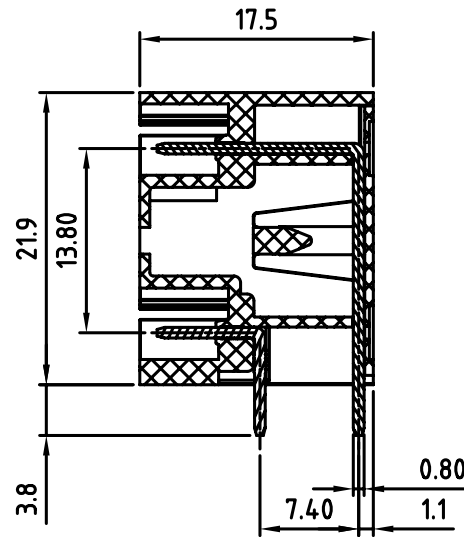


N=Number of contacts



P.C.B. LAYOUT

Material

- Terminal body (Contact pin): Brass Whit Tin plated
- Insulator (housing): Thermoplastic (UL94V-0)

Electrica

- Voltage rating: 125V
- Current rating: 4A
- Withstanding Voltage: 1.25KV
- Operating temperature: -30°C to +105°C
- Soldering temperature: 245°C±10°C/5 Sec

RoHS Compliant

TOLERANCES ARE

MORETHANALL
PCB CONNECTORS
Cable ASSEMBLIES

DRAWING BY CY

X.±

CHECKED BY GENIUS

.X±

UNIT / mm

SCALE 1 : 1

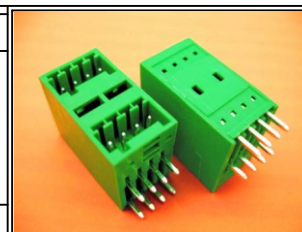
.XXX±

DATE

ANG±

SIZE A4

PJECTION



ORDER INFORMATION

TBX025B1-PRB-xx-LF

SERIES

LEADFREE

04:04PIN PER ROW

24:24PIN PER ROW

BOX

DIP 90°

MALE

煜倫股份有限公司

www.morethanall.com

DESCRIPTION: