

Technical Data:

Material:

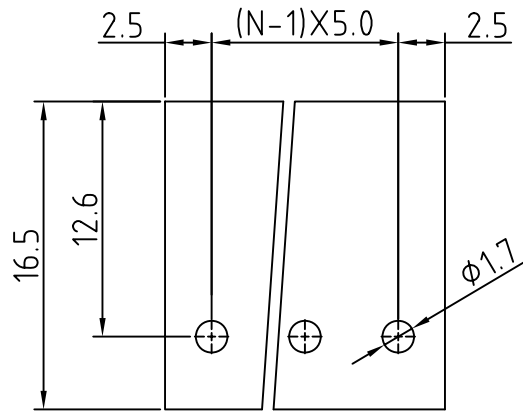
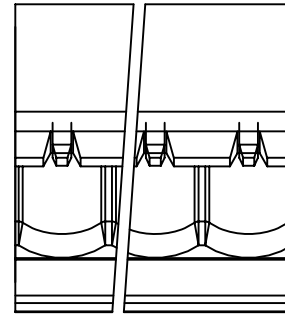
- Solder Pin: Brass with Tin plated
- Insulator body(housing): Polyamide(Glass filled)(UL94V-0)

Electrical

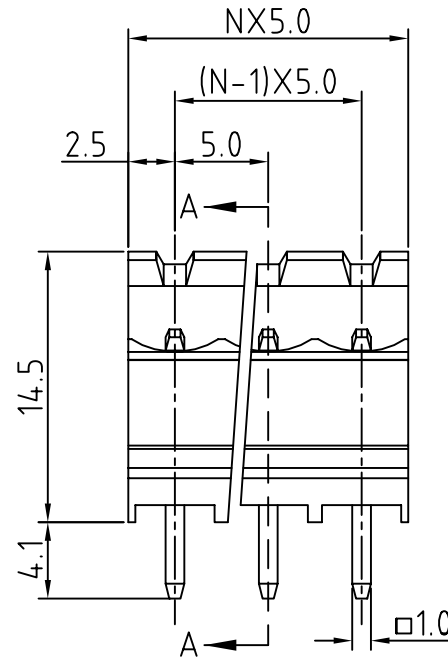
- Voltage rating: 250VAC
- Current rating: 15A
- Insulation resistance: 500MΩat DC 500V
- Withstanding Voltage: AC 1500V(1min)

Mechanical:

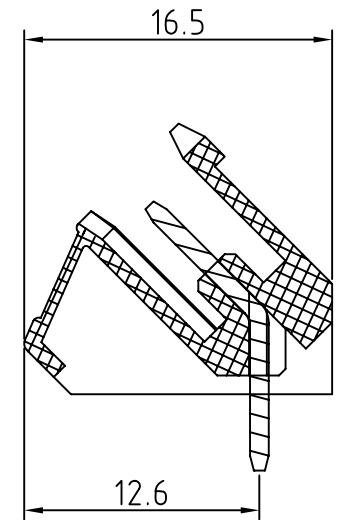
- Using temperature Range: -40°C to +105°C
- Soldering temperature:+250°,5seconds Max.



P.C.B LAYOUT



N=Number of contacts



SECTION A-A

RoHS Compliant

TOLERANCES ARE

MORETHANALL
PCB CONNECTORS
Cable ASSEMBLIES

DRAWING BY CY

X. ± 0.30

CHECKED BY GENIUS

.X ± 0.10

UNIT / mm

SCALE 1 : 1

.XX ±

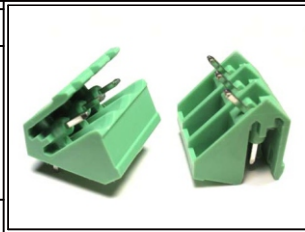
.XXX ±

ANG ±

DATE

SIZE A4

PJECTION



ORDER INFORMATION

TBH050-PA-xx-LF

SERIES

LEADFREE

02~24WAY

SANT DIP

MALE

煜倫股份有限公司

www.morethanall.com

DESCRIPTION: 5.0mm 45° Series (Open)