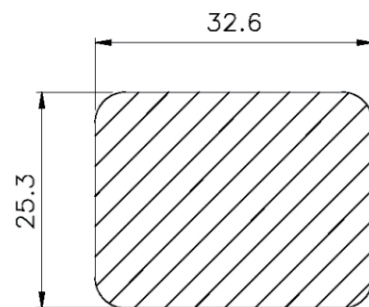
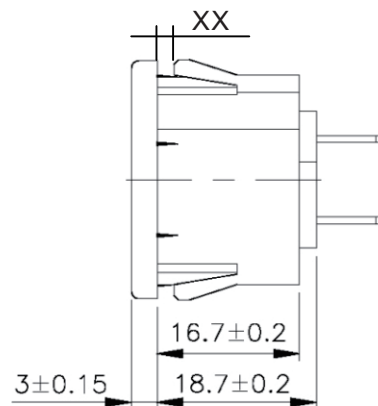
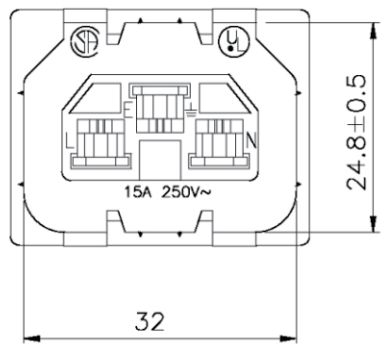


STANDARD : IEC 320 C14
 RATING : 15A250V AC
 APPROVALS : UL/CSA
 RATING : 15A250V AC
 APPROVALS : VDE/KEMA/SEV/SEMKO
 DEMKO/NEMKO/FIMKO



RoHS Compliant

TOLERANCES ARE

MORETHANALL
 PCB CONNECTORS
 Cable ASSEMBLIES

煜倫股份有限公司

www.morethanall.com

DRAWING BY CY

CHECKED BY GENIUS

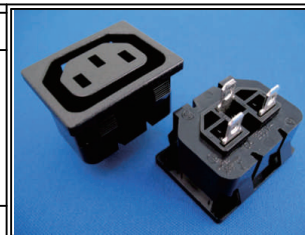
UNIT / mm SCALE 1 : 1

DATE

SIZE A4

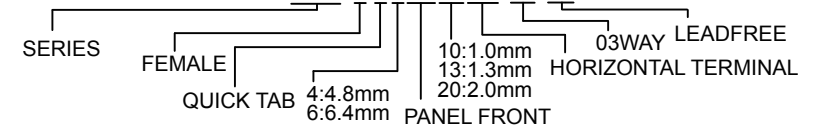
X, ±
 .X ± 0.20
 .XX ± 0.10
 .XXX ±
 ANG ±

P PROJECTION



ORDER INFORMATION

ACF-SQxPaxxHT-03-LF



DESCRIPTION: