

## Features:

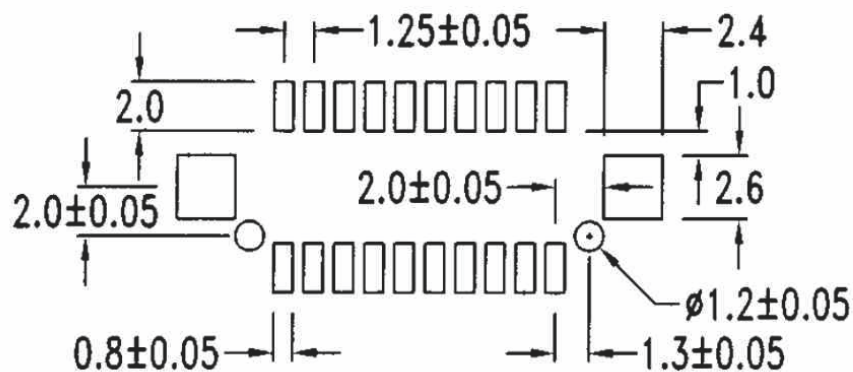
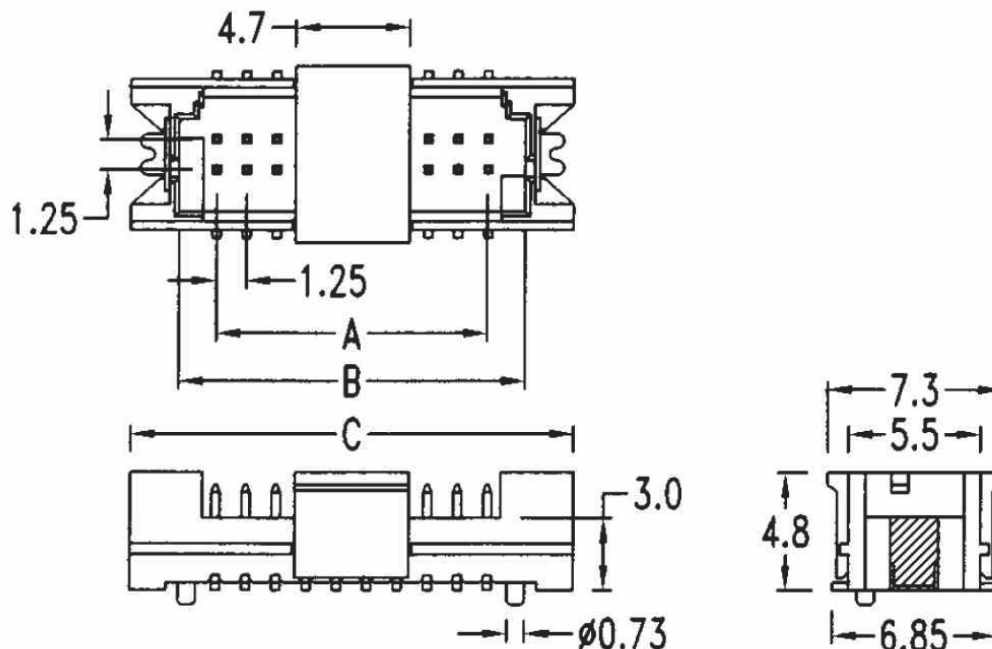
- 10, 20, 30, 40 circuits available
- .014"(0.35mm) square pin
- Pin Material: Gold-flash brass
  - Insulation: Nylon 9T

## Specification:

- Current rating : 1A AC, DC
- Voltage rating: 100V AC, DC
- Contact resistance: 20mΩ max.
- Dielectric withstanding voltage: 500V AC/minute
- Ambient temperature range: -25°C ~ 85°C

## Dimensional Information ( mm )

Circuits	Dim. A	Dim. B	Dim. C
2X05	5.00	8.10	12.2
2X10	11.25	14.35	18.5
2X15	17.50	20.60	24.8
2X20	23.75	26.85	31.1



PCB layout: Solider side

**MORETHANALL**  
PCB CONNECTORS  
Cable ASSEMBLIES

煜倫股份有限公司

www.morethanall.com

RoHS Compliant

DRAWING BY CY

CHECKED BY GENIUS

UNIT/ mm SCALE 1:1

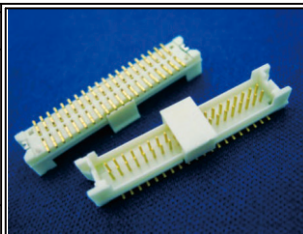
DATE

SIZE A4

TOLERANCES ARE

X.±  
.X±  
.XX±  
.XXX±  
ANG±

PJECTION



## ORDER INFORMATION

DF13-VPGC-2Xxx-LF  
SERIES | LEADFREE  
2X05:10WAY  
2X20:40WAY  
180°SMT | CAP  
GOLD  
POST

DESCRIPTION: