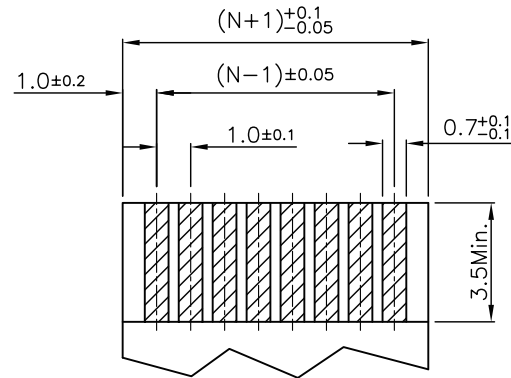
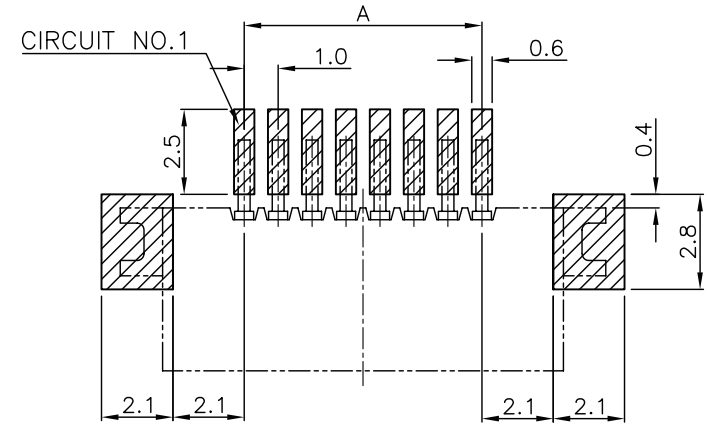


**NOTES:**

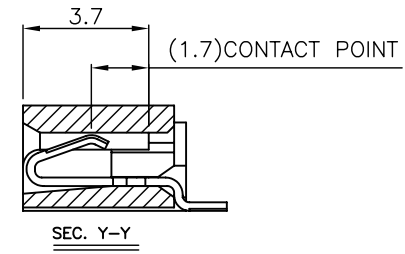
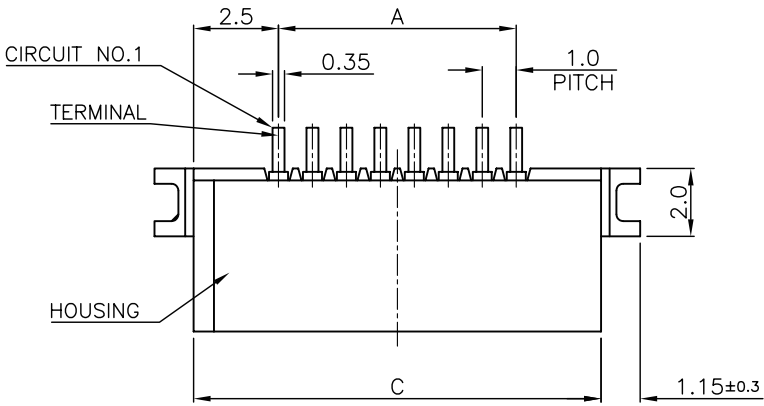
- 1. MATERIAL:
  - 1.1 HOUSING: THERMOPLASTIC, HIGH TEMP., UL94V-0.
  - 1.2 CONTACT: COPPER ALLOY
  - 1.3 FITTING NAIL: COPPER ALLOY
- 2. FINISH:
  - 2.1 CONTACT:
    - 1:50U" NICKEL OVERALL, GOLD FLASH OVERALL
    - L:50U" NICKEL OVERALL,
    - 120U" MIN. PURE TIN(MATT TIN) OVER ALL.
    - N:50U" NICKEL OVERALL,
    - 120U" MIN. MATT TIN(LEAD-FREE) OVER ALL.



APPLICABLE FPC/FFC  
RECOMMENDED DIMENSION  
THICKNESS  $0.3 \pm 0.03$

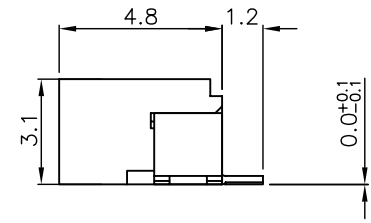
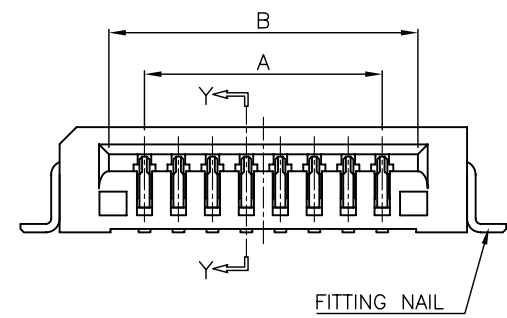


RECOMMENDED PCB LAYOUT  
GENERAL TOLERANCE  $\pm 0.05$



FPA-WLB31E-xx-LF  
04-30WAY LEADFREE  
RoHS Compliant

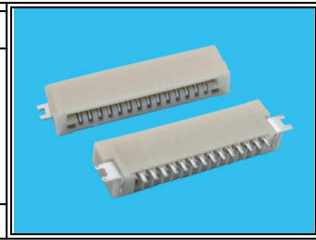
CKT	Dim A	Dim B	Dim C
4	3.0	5.1	8.0
5	4.0	6.1	9.0
6	5.0	7.1	10.0
7	6.0	8.1	11.0
8	7.0	9.1	12.0
9	8.0	10.1	13.0
10	9.0	11.1	14.0
11	10.0	12.1	15.0
12	11.0	13.1	16.0
13	12.0	14.1	17.0
14	13.0	15.1	18.0
15	14.0	16.1	19.0
16	15.0	17.1	20.0
17	16.0	18.1	21.0
18	17.0	19.1	22.0
19	18.0	20.1	23.0
20	19.0	21.1	24.0
21	20.0	22.1	25.0
22	21.0	23.1	26.0
23	22.0	24.1	27.0
24	23.0	25.1	28.0
25	24.0	26.1	29.0
26	25.0	27.1	30.0
27	26.0	28.1	31.0
28	27.0	29.1	32.0
29	28.0	30.1	33.0
30	29.0	31.1	34.0



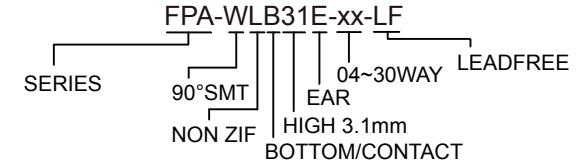
**RoHS Compliant**

TOLERANCES ARE

- X.  $\pm 0.50$
- .X  $\pm 0.25$
- .XX  $\pm 0.15$
- .XXX  $\pm 0.10$
- ANG  $\pm 2^\circ$



**ORDER INFORMATION**



**MORETHANALL**  
PCB CONNECTORS  
Cable ASSEMBLIES

煜倫股份有限公司

www.morethanall.com

DRAWING BY CY  
CHECKED BY GENIUS  
UNIT/mm SCALE 1:1  
DATE  
SIZE A4 PPROJECTION

DESCRIPTION: 1.0mm NON ZIF FPC CONN SMT R/A (BOT. CONTACT)TYPE