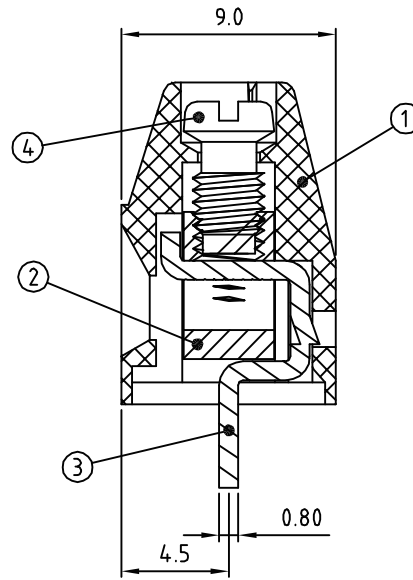


N=Number of contacts

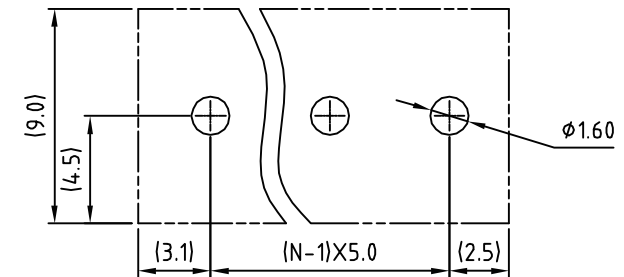


Material:

- Item 1 Insulator body:Thermoplastic (UL 94V-0)
- Item 2 Terminal body(house): Brass ,Ni plated
- Item 3 Contacts:Brass ,Tin plated
- Item 4 Terminal screw: Steel Zinc plating"-slot type

△ Electrical cULus/FIMKO

- Voltage rating: 300VAC/300VAC
- Current rating: 16A/17.5A
- Wire range: 1.5mm<sup>2</sup>
- Solid wire(AWG): 12-28
- Stranded wire(AWG): 12-28
- Torque: 3.5Lb-In./0.5Nm
- Screw: M3
- Wire strip length: 6-7mm
- Withstanding Voltage: 1.6KV/2.5KV
- Operating temperature: -30°C to +105°C
- Soldering temperature: 250°C±10°C/5 Sec
- Safety Approval:



P.C.B LAYOUT

RoHS Compliant



煜倫股份有限公司

www.morethanall.com

DRAWING BY CY

CHECKED BY GENIUS

UNIT/ mm SCALE 1:1

DATE

SIZE A4

TOLERANCES ARE

- X. ±
- .X ±
- .XX ±
- .XXX ±
- ANG ±

P PROJECTION



ORDER INFORMATION

TBH050-D13-xx-LF

SERIES

02-24WAY  
HIGH 13.5mm  
DIP180°

LEADFREE

DESCRIPTION: