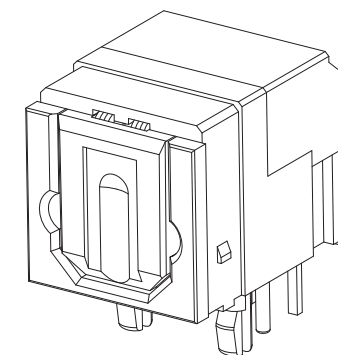
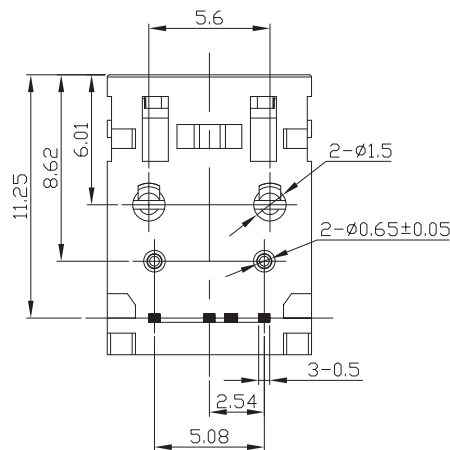


(TOL:±0.1)
(PCB t=1.6)
PCB LAYOUT
BOTTOM VIEW

Receiver	
①	Vcc
②	GND
③	Vout



6	PLUG	1	COPPER ALLOY BAR	Sn	
5	IC(RECEIVER)	1			
4	SPRING	1	SWPA		BLACK
3	COVER	1	PA46		BLACK
2	BACK COVER	1	PA46		BLACK
1	HOUSING	1	PA46		BLACK
NO	PART NAME	Q'TY	MATERIAL	PLATED	REMARK

RoHS Compliant

TOLERANCES ARE

MORETHANALL
PCB CONNECTORS
Cable ASSEMBLIES

煜倫股份有限公司

www.morethanall.com

DRAWING BY CY

CHECKED BY GENIUS

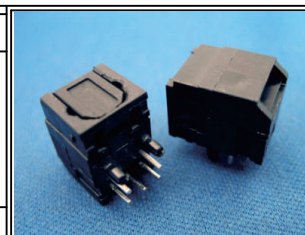
UNIT/mm SCALE 1:1

DATE

SIZE A4

X. ± 0.50
X. ± 0.30
.XX ± 0.15
.XXX ±
ANG ±

PJECTION



ORDER INFORMATION

POF-JRPS-R03-LF

SERIES | RX 3PIN | LEADFREE
SHUNT DOOR
POST
DIP 90°
JACK

DESCRIPTION: