

Technical Data:

Material:

- Contact(metal housing): Brass (CuZn)
- Terminal screw: Steel zine plating "--"slot type
- Surface of soldertail: Brass with Tin plated
- Insulator (housing): Thermoplastic(UL94V-0)

Electrical

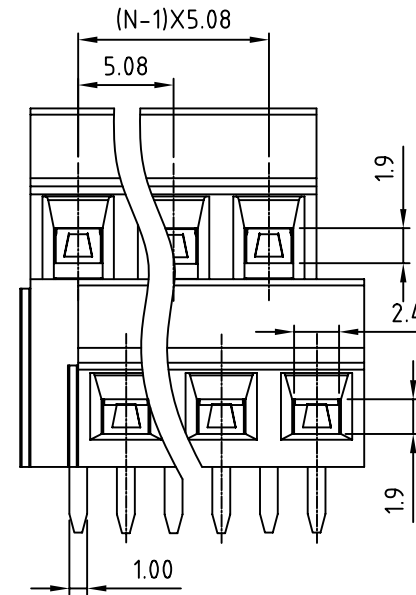
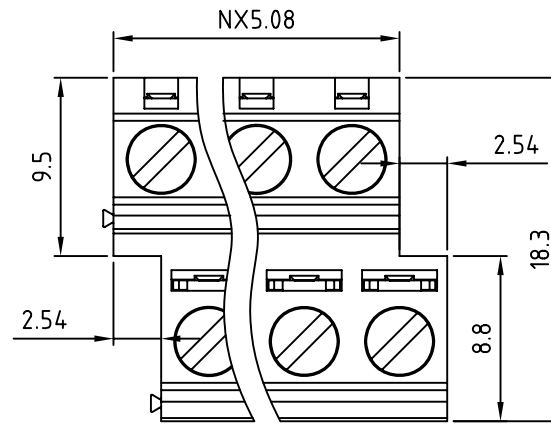
- Voltage rating: 300V
- Current rating: 10A
- Torque(Lb-In): 3.5
- Screw: M2.5

Wrie range:

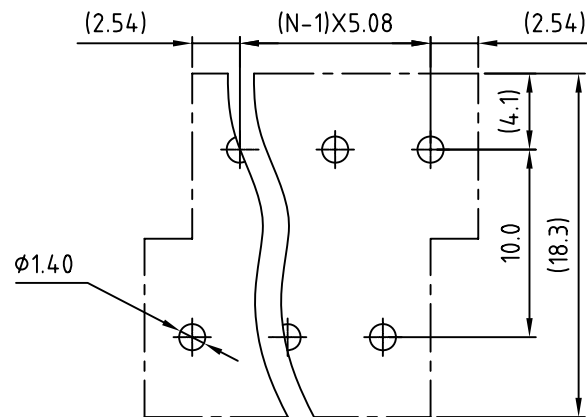
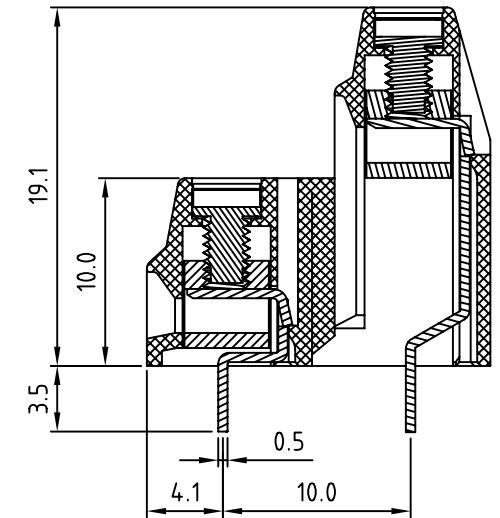
- SOLID WIRE(AWG): 16-26
- Stranded wire(AWG): 16-26
- Wire strip length: 6~7mm
- Withstanding Voltage:1.6kv

Mechanical:

- Operating temperature: -30°C to +105°C
- Soldering reliability: 245°C±10°C/5 Sec



N=Number of contacts



RoHS Compliant

TOLERANCES ARE

MORETHANALL
PCB CONNECTORS
Cable ASSEMBLIES

DRAWING BY CY

X.±

CHECKED BY GENIUS

.X±

UNIT / mm

SCALE 1 : 1

.XXX±

DATE

ANG±

SIZE A4

PJECTION



ORDER INFORMATION

TBH051B1-D10R-xx-LF

SERIES

LEADFREE
POS PER ROW
02:02 WAY
24:24 WAY
R TYPE FOOT
HIGH 10.0mm

DIP 180°

煜倫股份有限公司

www.morethanall.com

DESCRIPTION: