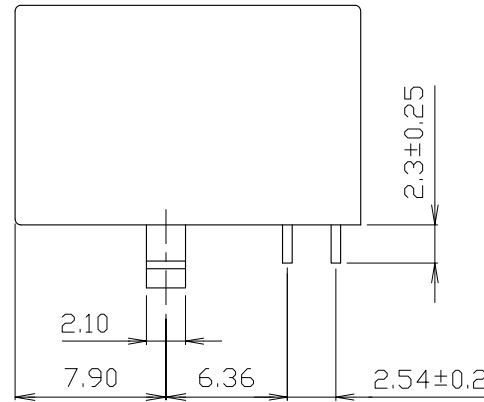
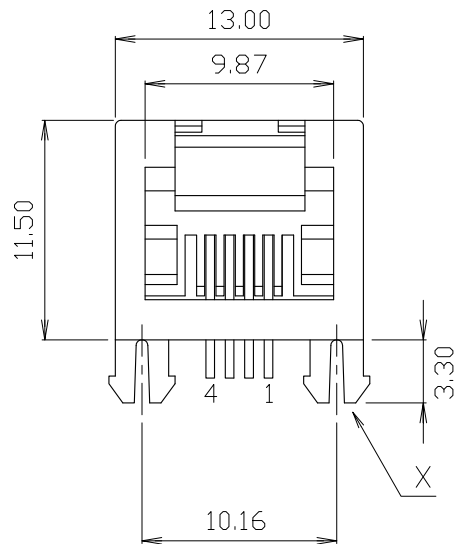


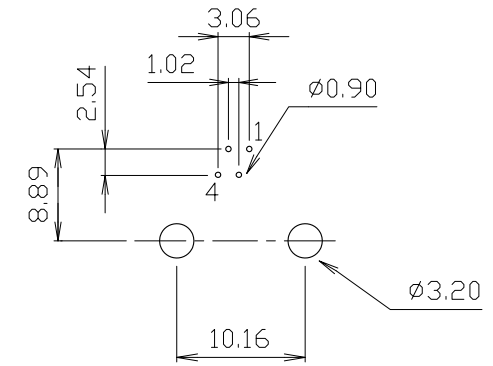
DETAIL X



MATERIALS:

- HOUSING-PBT POLYESTER UL94V-0 MIXED GLASS FIBER. STANDARD COLOR-BLACK
- CONTACTS-0.45mm DIM. PHOS-BRONZE PLATED WITH GOLD FLASH.

CAVITY CONFIRMS TO FCC RULES AND REGULATIONS PART 68,SUBPART F.



PC Board Layout Ref.

RoHS Compliant

TOLERANCES ARE

MORETHANALL
PCB CONNECTORS
Cable ASSEMBLIES

DRAWING BY CY

X. ±

CHECKED BY GENIUS

.X ± 0.25

UNIT / mm

SCALE 1 : 1

.XX ± 0.13

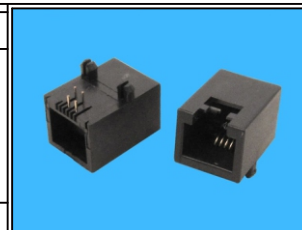
.XXX ± 0.05

DATE

ANG ±

SIZE A4

P PROJECTION



ORDER INFORMATION

MJ11U-KX01D23-0604-LF

SERIES
6P4C LEADFREE
DIP 2.3mm
GOLD FLASH
NON EAR
BLACK

煜倫股份有限公司

www.morethanall.com

DESCRIPTION: SINGLE PORT 6POSITION L/P SIDE ENTRY PCB JACK