

**Note:**

**1.Material:**

- 1.1 Insulator: LCP/PBT UL 94-V0 rated.
- 1.2 Contact: Brass,t=0.25mm.
- 1.3 Shell: Cold rolled steel,t=0.30mm.

**2.Specification:**

- 2.1 Current rating: 1 A Max.
- 2.2 Dielectric withstanding voltage: 500 V(ac) for 1 minute.
- 2.3 Contact resistance: 30 mΩ Max.
- 2.4 Insulation resistance: 1000 MΩ Min at DC 500V.
- 2.5 Temperature range: -55°C~+240°C.

**3.Finishes:**

- 3.1 Contacts: Gold flashed 1u"
- 3.2 Shell: Nickel plated.

3	SHELL	1	Cold rolled steel	T=0.30±0.02mm	Nickel Plated	D053AXX-D
2	CONTACT	4	Brass	T=0.25±0.02mm	Gold Flashed	D0780XX
1	HOUSING	1	LCP/ PBT		white	JCH0016
No.	Part Name	Q'ty	Material	Thickness	Finish	Notes

**RoHS Compliant**

TOLERANCES ARE

**MORETHANALL**  
PCB CONNECTORS  
Cable ASSEMBLIES

DRAWING BY CY

CHECKED BY GENIUS

UNIT/ mm SCALE 1:1

DATE

SIZE A4

X. ±  
.X ±  
.XX ±  
.XXX ±  
ANG ±

PJECTION



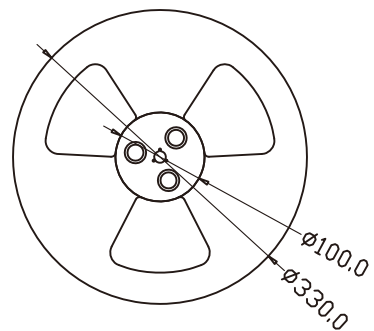
**ORDER INFORMATION**

USB-PWWHR-4A-LF  
SERIES | LEADFREE  
4 PIN A TYPE  
REEL  
WHITE  
90°SMT  
MALE

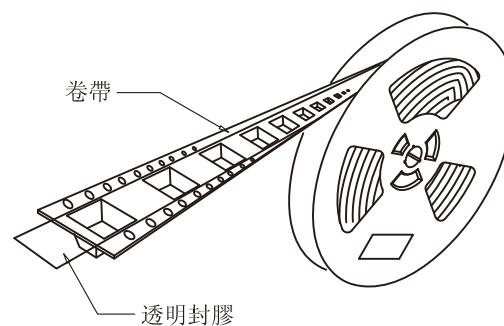
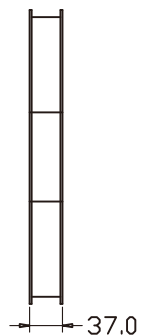
DESCRIPTION: USB-A MALE SMT (中腳有點)

煜倫股份有限公司

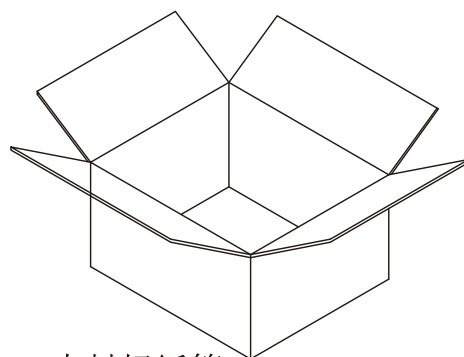
www.morethanall.com



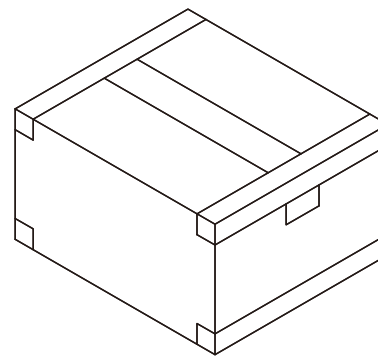
卷帶盤 (圖一)



卷裝圖示 (圖二)



未封好紙箱 (圖三)



封好紙箱 (圖四)

包裝說明:

1. 每卷帶盤裝800PCS, 不可少數, 成品在盤內不可活動, 裝好後使用自動卷裝機粘上透明封膠. 如圖(一, 二)所示.
2. 在紙箱底部先放上保力龍, 再在四角分別放上護腳板, 然後將裝好的卷帶盤放入紙箱內, 每箱放4盤, 共有3.2K產品, 然後再盖上泡沫板, 最後用透明膠密封紙箱. 如圖(三, 四)所示.
3. 紙箱外貼上環保标签, 合格标签, 產品規格說明, 並且貼在外箱側面的箱面規格說明的右上方 (僅貼一側)
4. 紙箱規格為: 37X37X17cm; 材質是: K=K, 載帶和圓盤材質為PS料.
5. 包裝材料: (ZX006, PE002, JPL002, RR003, PM001, HJ003, GZ001).

RoHS Compliant

TOLERANCES ARE

**MORETHANALL**  
PCB CONNECTORS  
Cable ASSEMBLIES

煜倫股份有限公司

www.morethanall.com

DRAWING BY CY

CHECKED BY GENIUS

UNIT/mm SCALE 1:1

DATE

SIZE A4

X, ±  
.X ±  
.XX ±  
.XXX ±  
ANG ±

P PROJECTION



ORDER INFORMATION

USB-PWWHR-4A-LF  
SERIES | REEL | LEADFREE  
WHITE | 4 PIN A TYPE  
90°SMT | MALE

DESCRIPTION: