

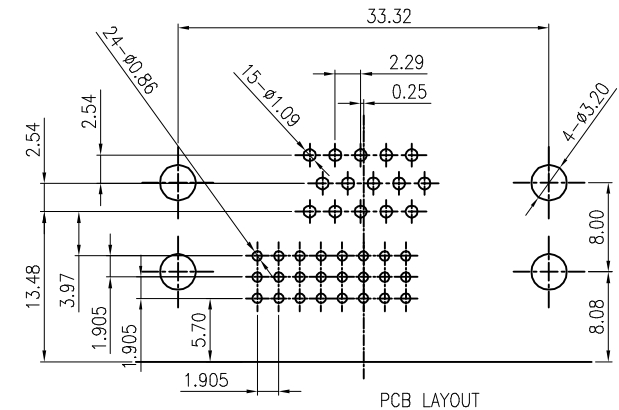
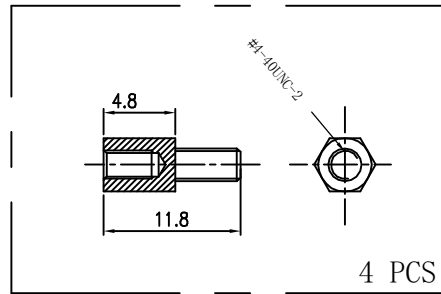
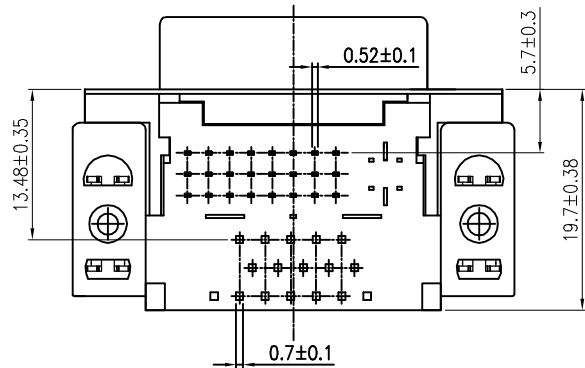
NOTE:

MATERIALS:

1. Housing: PBT/PA66 +30%G.F  
VGA Color: Black  
DVI Color: White
2. Cover: PA66+30%G.F Color: White
3. Contacts: Brass
4. Shell: SPCC
5. Rivet: BRASS
6. Board Lock: SPCC
7. Bracket: SPCC

FINISH:

1. Contacts: Gold Flash Plated on Contact Area Sn Plated on Solderails Nickel Under Plated Over All
2. Shell: Nickel Plated
3. Rivet: Nickel Plated
4. Board Lock: Sn Plated UNDER NI
5. Bracket: Nickel Plated



UNLESS OTHERWISE SPECIFIED, TOLERANCE ON DECIMAL: ±0.3

RoHS Compliant

TOLERANCES ARE

**MORETHANALL**  
PCB CONNECTORS  
Cable ASSEMBLIES

DRAWING BY CY

X. ±

CHECKED BY GENIUS

.X ±

UNIT / mm

SCALE 1 : 1

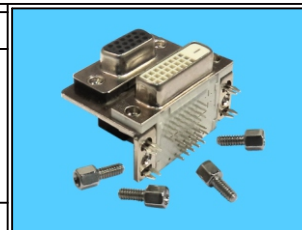
.XXX ±

DATE

ANG ±

SIZE A4

P PROJECTION



ORDER INFORMATION

HDDVI-FR15NH-1524-LF

SERIES | LEADFREE  
| HD 15PIN / DVI 24PIN  
| NUT  
| PORT / PORT 15.88mm  
FEMALE | DIP 90°

DESCRIPTION: HDR 15母對DVI24 + 1 (15.88) 雙層 附螺絲\*4

煜倫股份有限公司

www.morethanall.com