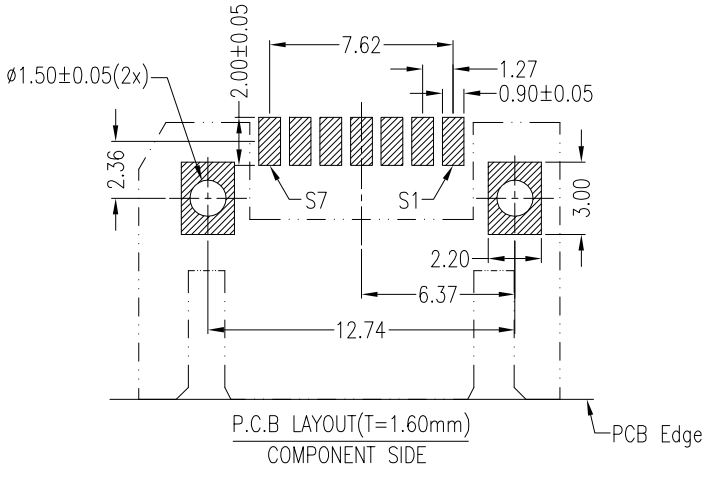
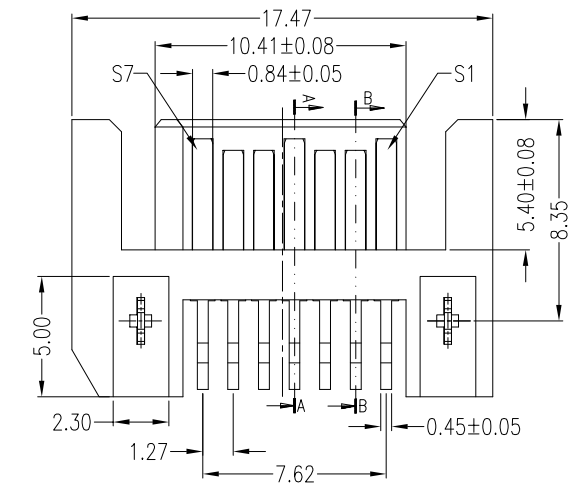
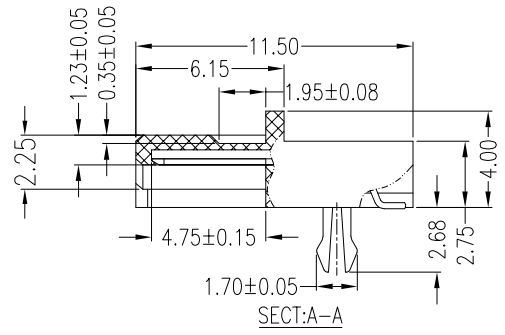


Signal Segment	
Name	Type
S1	GND
S2	A+
S3	A-
S4	GND
S5	B-
S6	B+
S7	GND



Notes:

*Material

Housing: LCP, UL 94V-0 Rated; Color: Black,White.
 Contact: Phosphor Bronze
 Plating: Au plating on contact area,
 Sn (100u* Min.) plating on solder tail,
 Ni (50u* Min.) underplating overall.
 Harpoon: Brass;
 Plating: Sn(100u* Min.) Plating On Solder Tail;
 Ni(50u* Min.) Underplating Overall

*Mechanical

Insertion Force: 45N Max.
 Withdrawal Force: 10N Min.
 Durability: 500 Cycles

*Electrical Specification

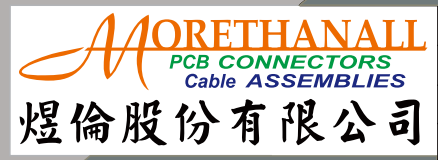
Current Rating: 1.5 Ampere per contact
 Contact Resistance: 30mΩ Max.
 Insulation Resistance: 1000MΩ Min.
 Dielectric Withstanding Voltage: 500V AC

*Environmental

Operating Temperature: -55°C To +85°C

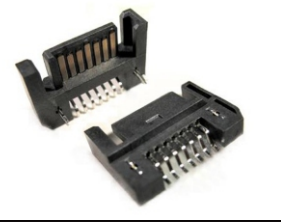
RoHS Compliant

TOLERANCES ARE



DRAWING BY CY
 CHECKED BY GENIUS
 UNIT / mm SCALE 1 : 1
 DATE
 SIZE A4 PPROJECTION

X, ±
 X ± 0.35
 .XX ± 0.25
 .XXX ± 0.15
 ANG ±



ORDER INFORMATION

SATA-PWA-07-LF
 SERIES | | | LEADFREE
 | | | 07 WAY
 | | | UPPER CONTACT
 | | | 90°SMT
 | | | MALE

DESCRIPTION: SATA 7P Standard SMT Type

www.morethanall.com