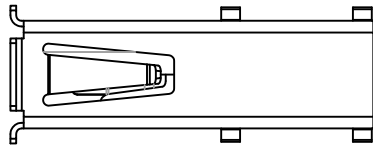
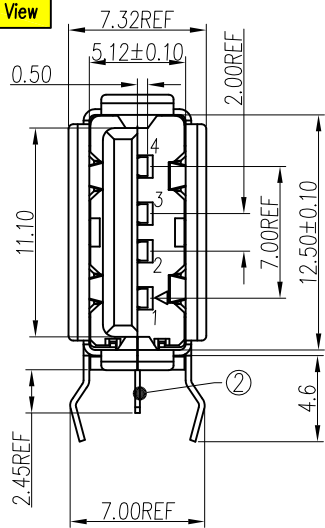


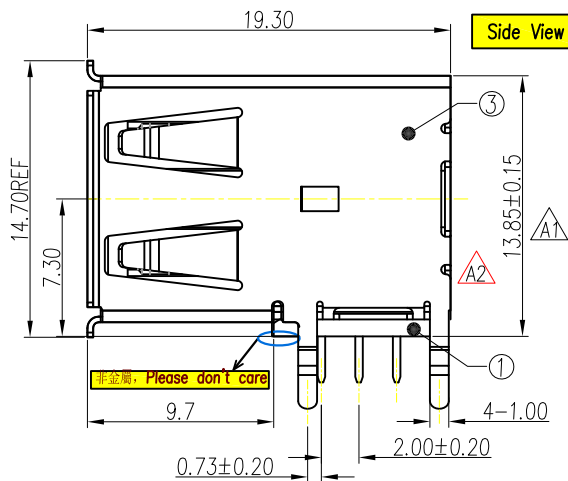
Top View



Front View



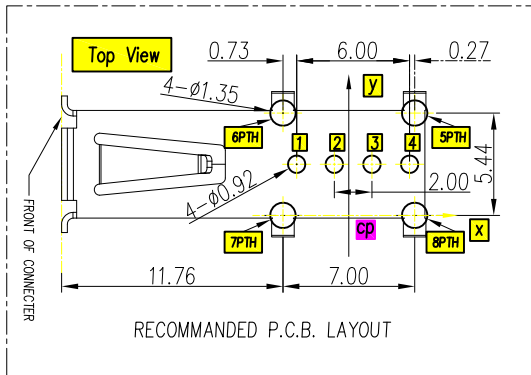
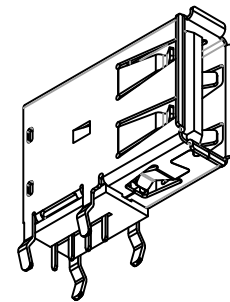
Side View



Note:

Specification:

1. Rated voltage and current: 1A at 250V AC Min.
2. Dielectric withstanding voltage: 500V AC/1 minute without breakdown.
3. Contact resistance: Before life test 30m ohm Max.  
After life test 50m ohm max
4. Insulation resistance: 1000M ohm Min at DC 500V.
5. Insertion force: 35 Newtons Max.
6. Extraction force: 10 Newtons Min.
7. Solderability: Terminal shall be immersed in flux before text, Then dip in molten solder for 5±0.5 sec. At 245±5°C
8. Temperature range: -55°C~+85°C



3	Shell	1	KU570	T=0.30mm	100u"min. Nickel Plated
2	Contact	4	COPPER ALLOY	T=0.25mm	Contact area: 0.8u" Gold Plated over 40u" Nickel min . Solder area: 80u"min matte Tin Plated over 40u" Nickel min .
1	Housing	1	PBT	UL 94-V0	Black/White
No.	Name	Q'ty	Material	Remarks & Thickness	Finish

RoHS Compliant

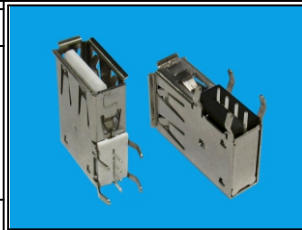


煜倫股份有限公司

www.morethanall.com

DRAWING BY CY  
CHECKED BY GENIUS  
UNIT / mm SCALE 1 : 1  
DATE  
SIZE A4

TOLERANCES ARE  
X. ±  
.X ± 0.30  
.XX ± 0.20  
.XXX ± 0.10  
ANG ± 1°



ORDER INFORMATION

USB-SUxx-4A-LF  
SERIES | LEADFREE  
4 PIN A TYPE  
BK:BLACK  
WH:WHITE  
UPRIGHT  
FEMALE

DESCRIPTION: USB-AF 側向90° DIP (一體式外殼)