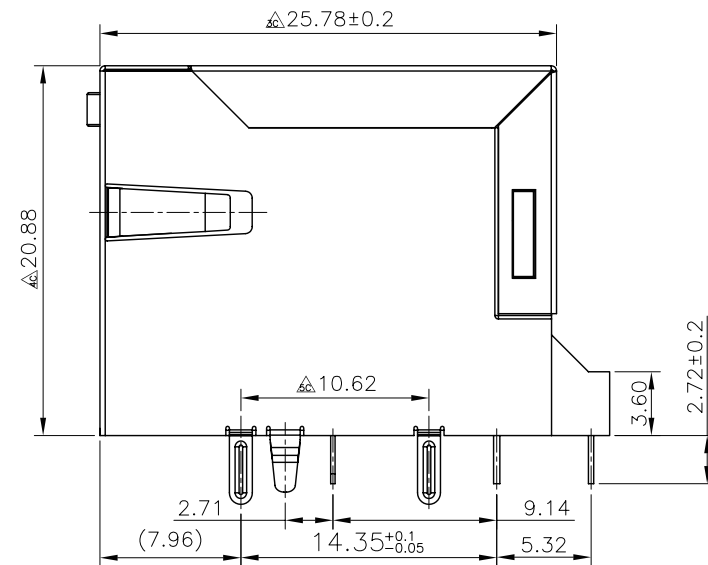
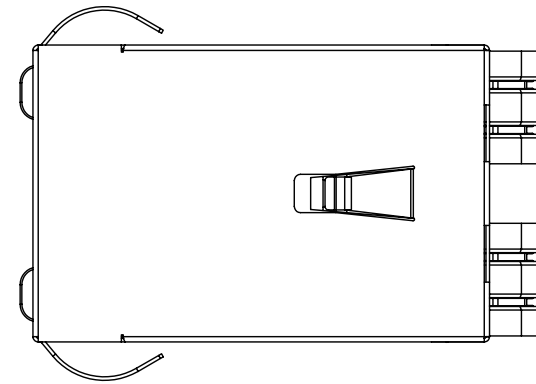
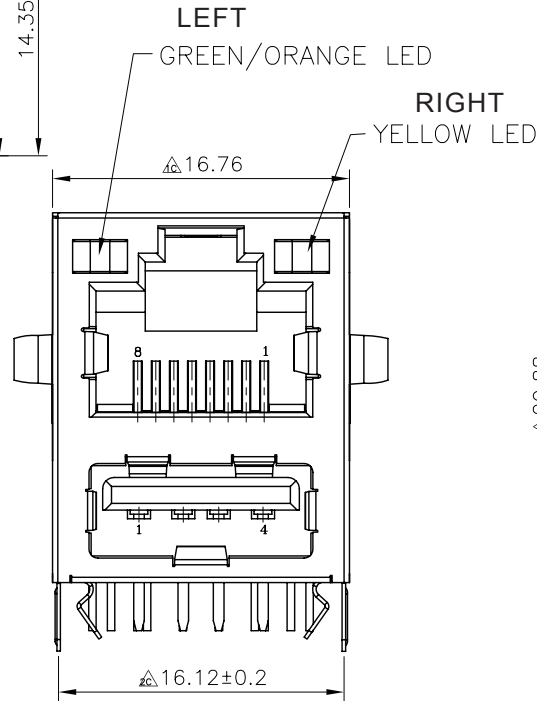
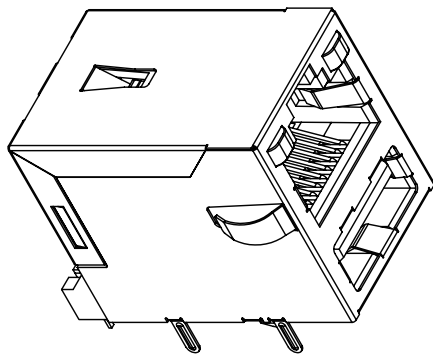


PCB LAYOUT/TOP VIEW



MATERIALS:
 HOUSING:ENGINEERING THERMOPLASTIC
 FLAMMABILITY RATING UL 94V-0.
 CONTACTS:PHOSPHOR BRONZE
 PLATING:GOLD PLATING OVER NICKEL IN CONTACT
 COLOR: BLACK

※凡標註△記號者, 為品管檢驗之尺寸

RoHS Compliant

TOLERANCES ARE

MORETHANALL
 PCB CONNECTORS
 Cable ASSEMBLIES

DRAWING BY CY

CHECKED BY GENIUS

UNIT/mm

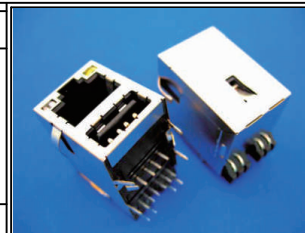
SCALE 1:1

DATE

SIZE A4

PJECTION

X. ±
 .X ±
 .XX ±
 .XXX ±
 ANG ±



ORDER INFORMATION

MUJT16UL-KS06GOYX-86A1

SERIES

BLACK

SPRING

8P6C TO A TYPE

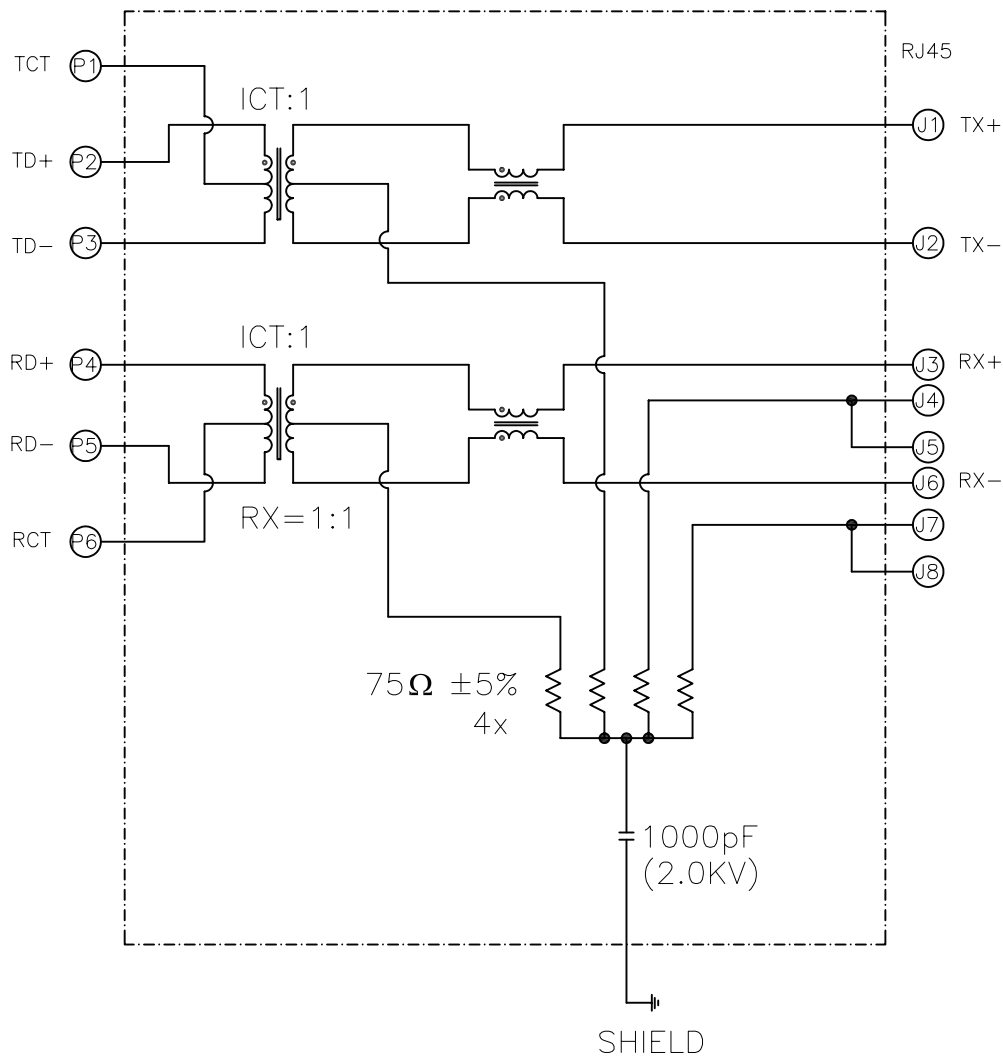
LEFT / RIGHT

GREEN+ORANGE / YELLOW
 06u" GOLD

煜倫股份有限公司

www.morethanall.com

DESCRIPTION:



ELECTRICAL CHARACTERISTICS @ 25° C

TURNS RATIO	
TX	ICT: 1
RX	ICT: 1
OCL @100KHz/100mVRMS	
8mA DC BLAS	350uH MIN
INS. LOSS	
1MHz TO 100MHz	-1.0dB MAX
RET.LOSS(MIN)	
1MHz-30MHz	-18dB
30MHz-60MHz	-18+20LOG(F/30MHz)dB
60MHz-80MHz	-12dB
CROSS TALK (TX - RX)	
500KHz-100MHz	-35dB MIN
CM TO CM REJ	
100KHz-100MHz	-30dB MIN
CM TO DM REJ	
100KHz-100MHz	-40dB MIN
HIPOT (Isolation voltage):	1500Vums

RoHS Compliant

TOLERANCES ARE

MORETHANALL
PCB CONNECTORS
Cable ASSEMBLIES

煜倫股份有限公司

www.morethanall.com

DRAWING BY CY

CHECKED BY GENIUS

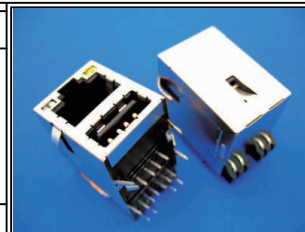
UNIT/mm SCALE 1:1

DATE

SIZE A4

X. ±
.X ±
.XX ±
.XXX ±
ANG ±

PJECTION



ORDER INFORMATION

MUJT16UL-KS06GOYX-86A1

SERIES

BLACK

SPRING

8P6C TO A TYPE

LEFT / RIGHT

GREEN+ORANGE / YELLOW
06u" GOLD

DESCRIPTION: