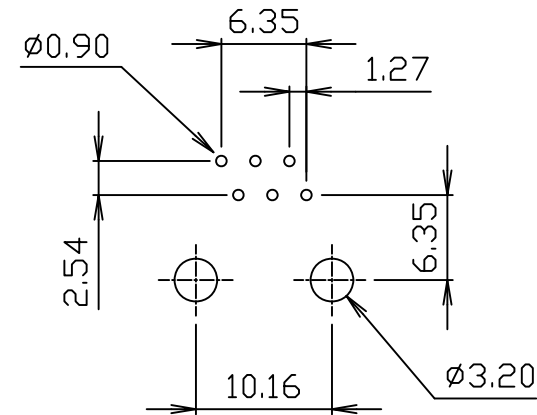


MATERIAL: HOUSING-PBT POLYESTER UL-94V-0
 MIXED GLASS FIBER.
 STANDARD COLOR-BLACK
 CONTACTS-0.35mm THICK PHOS-BRONZE
 PLATED WITH HARD GOLD AND
 TIN IN SOLDER AREA.
 CAVITY CONFIRMS TO FCC RULES AND REGULATIONS
 PART 68,SUBPART F.



PC Board Layout

RoHS Compliant

TOLERANCES ARE

MORETHANALL
 PCB CONNECTORS
 Cable ASSEMBLIES

DRAWING BY CY

CHECKED BY GENIUS

UNIT / mm

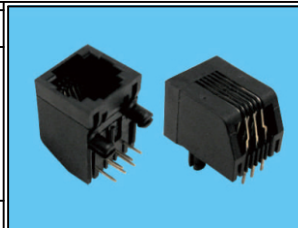
SCALE 1 : 1

DATE

SIZE A4

X, ±
 .X ± 0.25
 .XX ± 0.13
 .XXX ± 0.05
 ANG ±

P PROJECTION



ORDER INFORMATION

MJ12J-KX06-0606-LF

SERIES | LEADFREE
 | 6P6C
 | 06u" GOLD
 | NON EAR
 | BLACK

DESCRIPTION: 6 POSITION FLANGED LOW PROFILE SIDE ENTRY PCB JACK

煜倫股份有限公司

www.morethanall.com