

Specifications

Current Rate: 1 AMP

Insulation Resistance: $\geq 1000M \Omega$ at $V=100V$.

Contact Resistance: $\leq 4m\Omega$ /Contact

Operating voltage: 60V AC/DC

Operation Temperature: $-40^{\circ}C$ to $+105^{\circ}C$

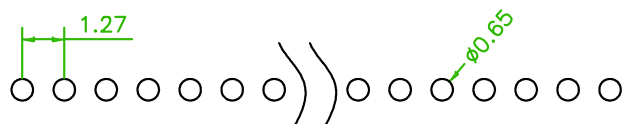
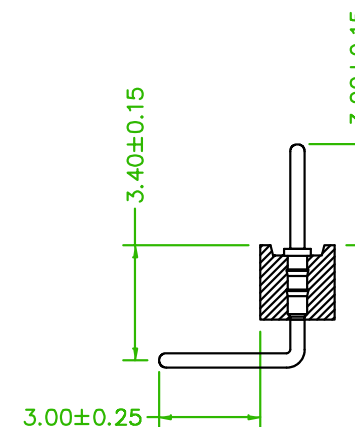
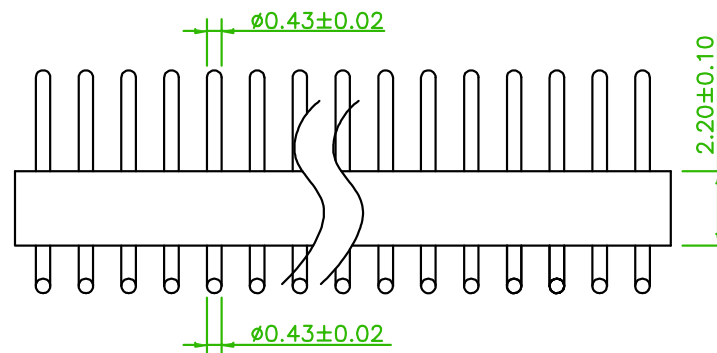
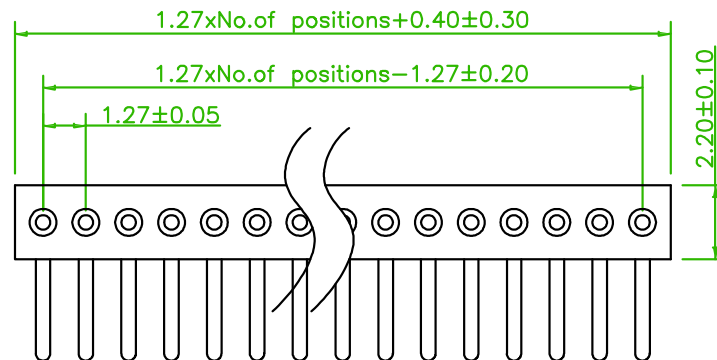
Soldering temperature: $+255^{\circ}C$

Mechanical Life cycle : 500 Min

Material

Insulator: PPS, UL94V-0

Contact Pin: Brass



Recommended P.C.B Layout

RoHS Compliant

TOLERANCES ARE

MORETHANALL
PCB CONNECTORS
Cable ASSEMBLIES

DRAWING BY CY

CHECKED BY GENIUS

UNIT / mm

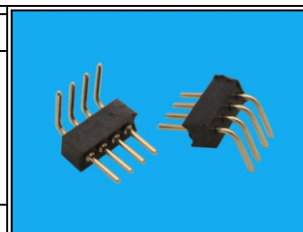
SCALE 1 : 1

DATE

SIZE A4

PPOJECTION

X, ±
.X ± 0.20
.XX ± 0.15
.XXX ±
ANG ± 5°



ORDER INFORMATION

HASP-RG-1Xxx-LF

SERIES | LEADFREE
1X01:01WAY
1X50:50WAY
GOLD
DIP 90°

煜倫股份有限公司

www.morethanall.com

DESCRIPTION: