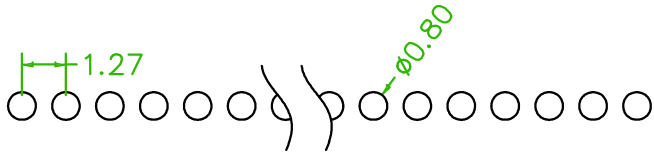


Specifications

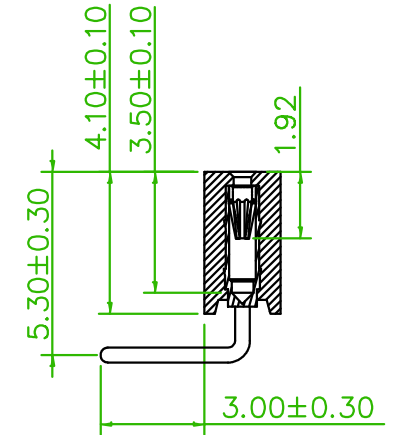
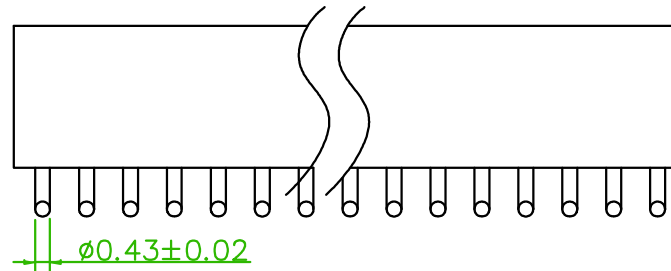
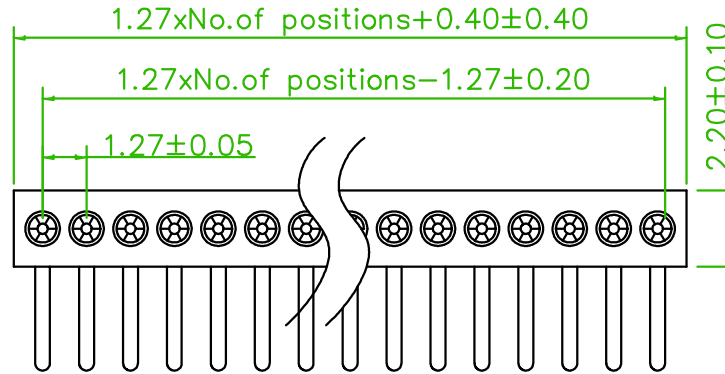
Current Rate:1 AMP
 Insulation Resistance: $\geq 1000M\Omega$ at $V=100V$.
 Contact Resistance: $\leq 4m\Omega$ /Contact
 Dielectric Withstanding Voltage: 1000V AV Min
 Operating voltage:60V AC/DC
 Operation Temperature:-40°C to +105°C
 Soldering temperature: +255°C
 Mechanical Life cycle : 200 Min

Material

Insulator:PPS, UL94V-0
 Contact Pin:Brass



Recommended P.C.B Layout



RoHS Compliant

TOLERANCES ARE

MORETHANALL
 PCB CONNECTORS
 Cable ASSEMBLIES

DRAWING BY CY

CHECKED BY GENIUS

UNIT / mm

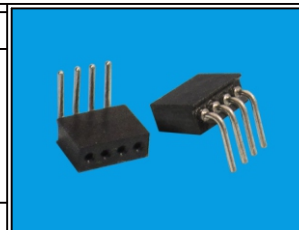
SCALE 1 : 1

DATE

SIZE A4

P PROJECTION

X, \pm
 .X ± 0.20
 .XX ± 0.15
 .XXX \pm
 ANG $\pm 5^\circ$



ORDER INFORMATION

HASS-R-1Xxx-LF

SERIES | LEADFREE
 1X01:01WAY
 1X50:50WAY
 DIP 90°

煜倫股份有限公司

www.morethanall.com

DESCRIPTION: