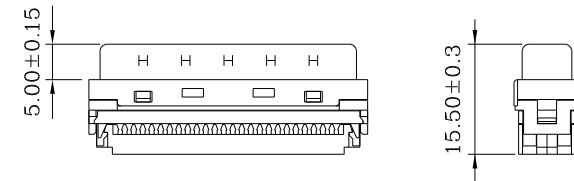
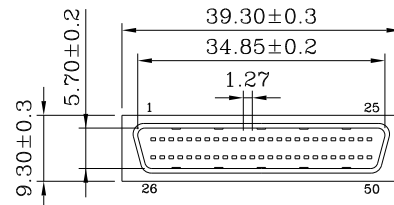
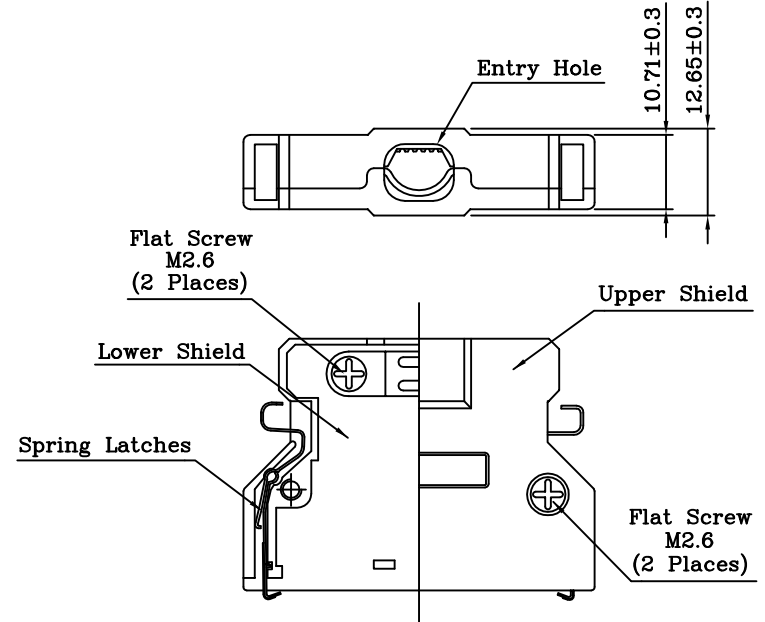
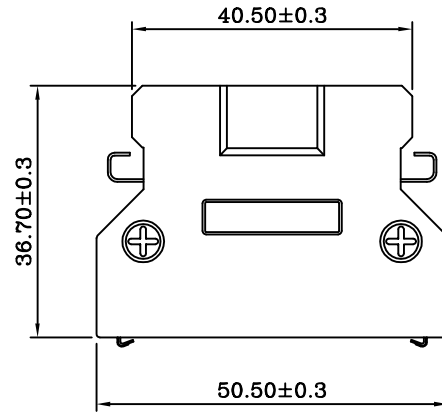
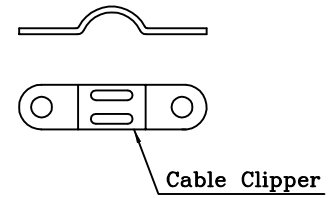
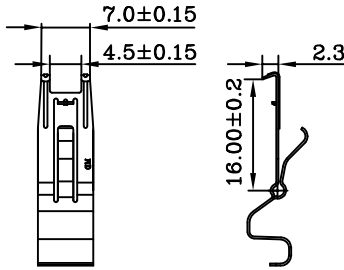


● **MATERIALS: (RoHS Compliant)**

- Back Shell: Zinc Alloy Nickel Plated Over Copper
- Flat Screws: Steel Nickel Plated Over Copper
- Cable Clipper: Steel Nickel Plated Over Copper
- Spring Latches: Stainless Steel



RoHS Compliant

TOLERANCES ARE

MORETHANALL
PCB CONNECTORS
Cable ASSEMBLIES

DRAWING BY CY

X.±

CHECKED BY GENIUS

.X±

UNIT / mm

SCALE 1 : 1

.XX±

DATE

.XXX±

ANG±

SIZE A4

PJECTION



ORDER INFORMATION

HPD-PFW-050-LF
SERIES | LEADFREE
50 WAY
W TYPE COVER
IDC
MALE

煜倫股份有限公司

www.morethanall.com

DESCRIPTION: