

NOTES:
 1. MATERIAL:
 HOUSING: HIGH TEMPERATURE THERMO PLASTIC UL94V-0
 TERMINAL: COPPER ALLOY
 SOLDER PEG: COPPER ALLOY
 2. FINISH:
 TERMINAL:
 CONTACT AREA: SEE CHARTS
 SOLDERING AREA: SEE CHARTS
 UNDER PL.: NICKEL PL. 50 μ" THK MIN.
 3. THIS PRODUCT DOESN'T CONTAIN ENVIRONMENTAL HAZARDOUS
 PER DIRECTIVE 2002/95/EC FOR RoHS COMPLIANT.

RoHS Compliant

TOLERANCES ARE



煜倫股份有限公司

www.morethanall.com

DRAWING BY CY

CHECKED BY GENIUS

UNIT / mm SCALE 1 : 1

DATE

SIZE A4

X, ±

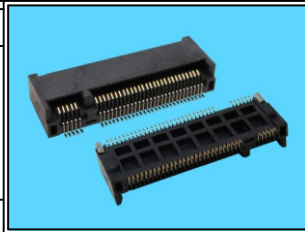
.X ±

.XX ±

.XXX ±

ANG ±

PJECTION



ORDER INFORMATION

NGFF-W42-1156-LF

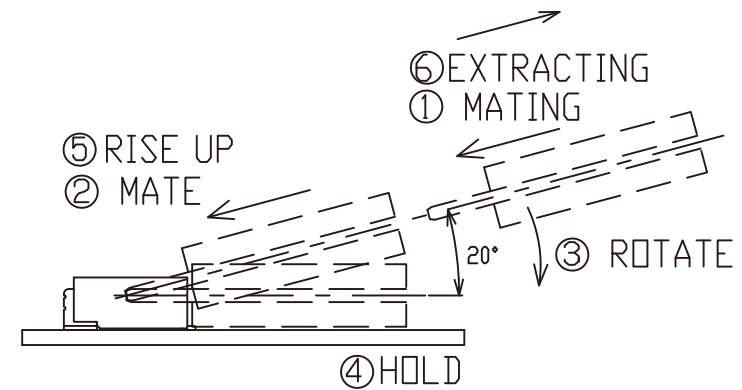
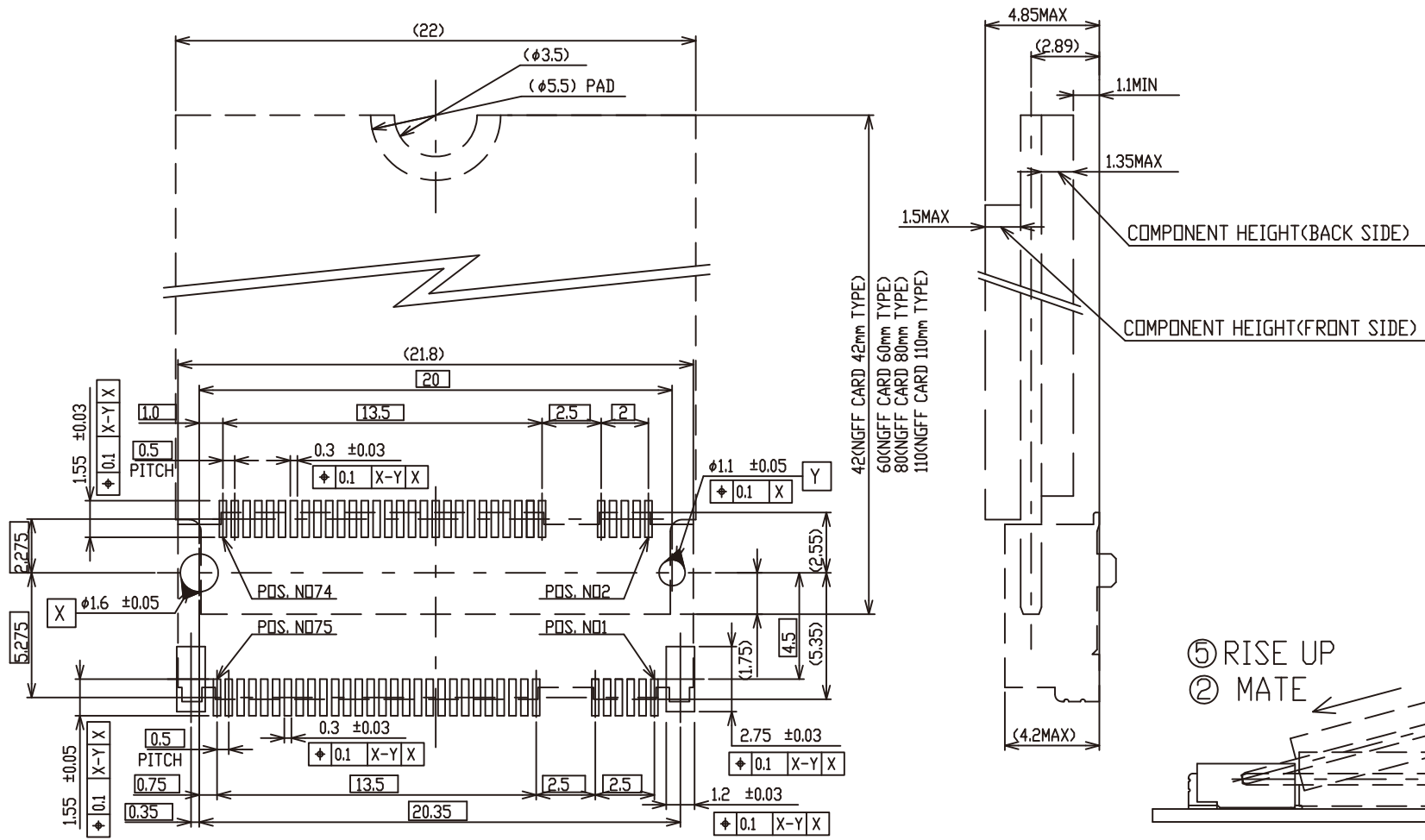
SERIES LEADFREE

11+56 WAY

HIGH 4.2mm

90°SMT

DESCRIPTION:



KEY ID "B"
RECOMMENDED P.C. BOARD LAYOUT

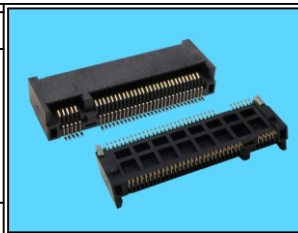
RoHS Compliant

TOLERANCES ARE

MORETHANALL
PCB CONNECTORS
Cable ASSEMBLIES

DRAWING BY CY
CHECKED BY GENIUS
UNIT / mm SCALE 1 : 1
DATE
SIZE A4 PPROJECTION

X, ±
.X ±
.XX ±
.XXX ±
ANG ±



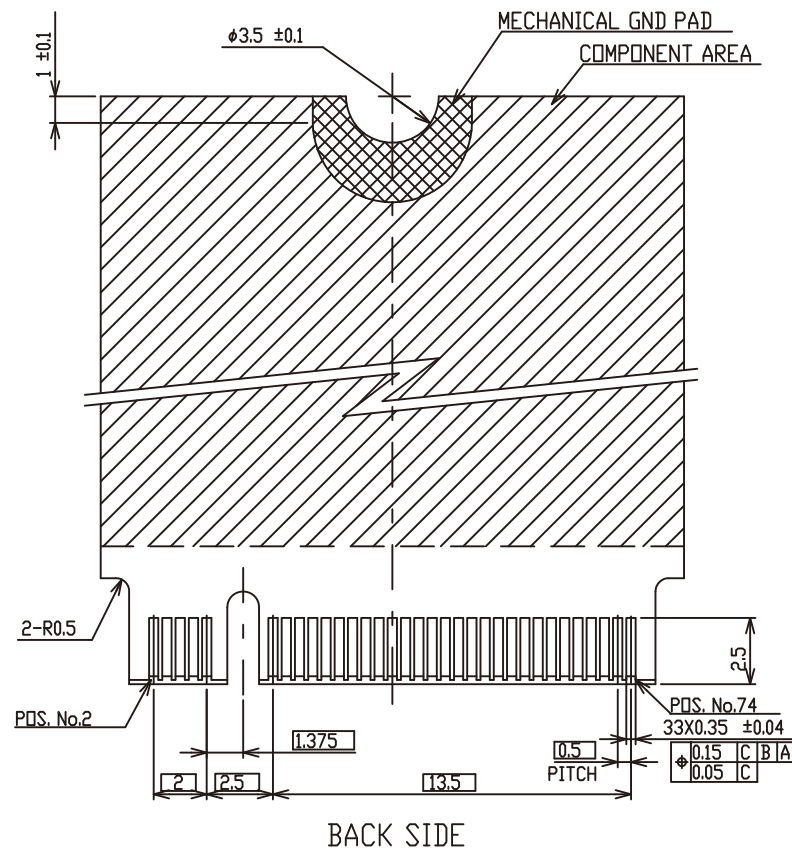
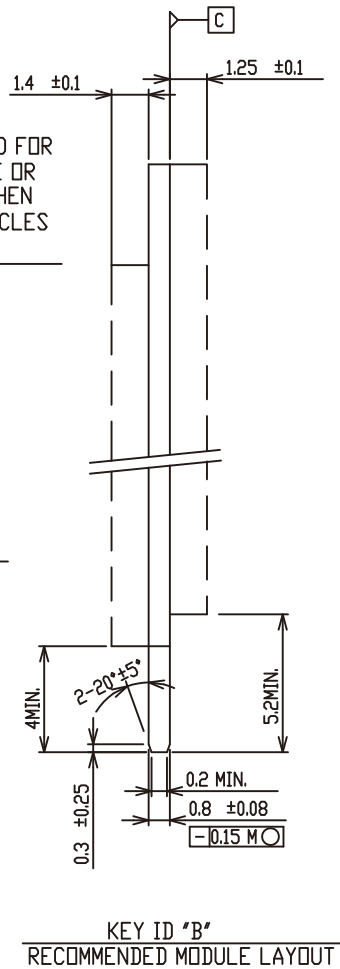
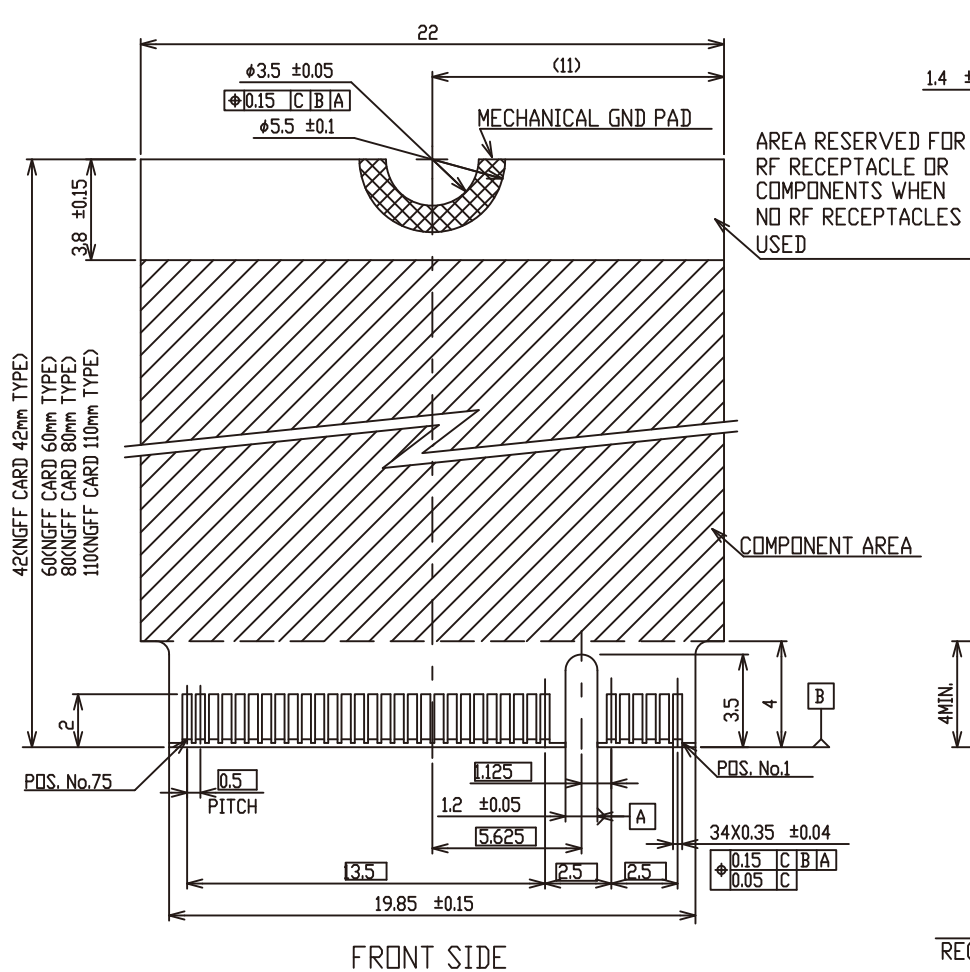
ORDER INFORMATION

NGFF-W42-1156-LF
SERIES | LEADFREE
11+56 WAY
HIGH 4.2mm
90° SMT

煜倫股份有限公司

www.morethanall.com

DESCRIPTION:



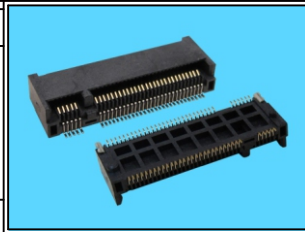
RoHS Compliant

MORETHANALL
PCB CONNECTORS
Cable ASSEMBLIES

煜倫股份有限公司

www.morethanall.com

DRAWING BY CY		TOLERANCES ARE
CHECKED BY GENIUS		
UNIT / mm	SCALE 1 : 1	X, ±
DATE		.X, ±
SIZE A4	PJECTION	.XX, ±
		.XXX, ±
		ANG, ±



ORDER INFORMATION

NGFF-W42-1156-LF

SERIES | LEADFREE

11+56 WAY

HIGH 4.2mm

90°SMT

DESCRIPTION: