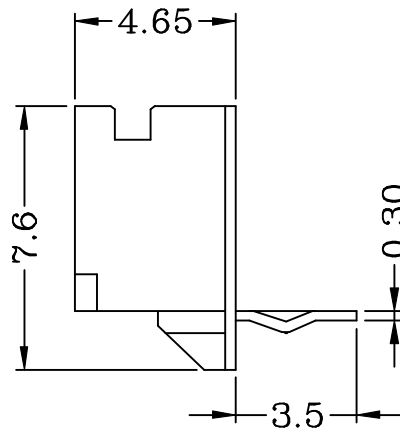
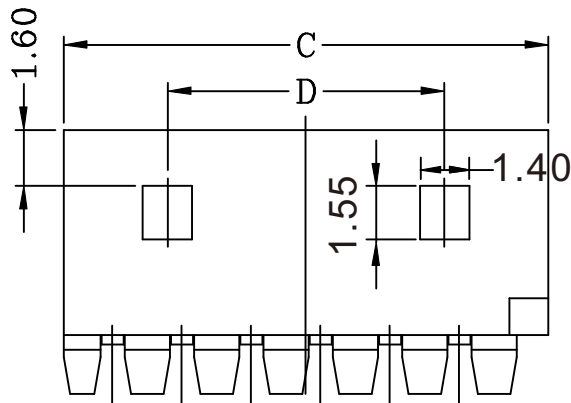
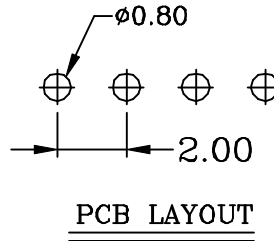
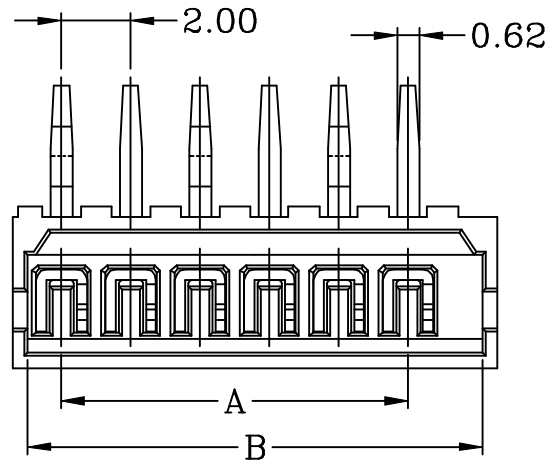


Specifications:

Poles	2~15 Poles
Material: PBT UL 94V-0 with 30% GF	
Pitch between poles	2.0mm
Rated Voltage	125V AC,DC
Rated Current	1A
Withstand Voltage	800V AC/minute
Contact Resistance	20mΩ (MAX.)
Insulation Resistance	1,000MΩ (MIN.)
Temperature Range	-25°~+95°C
Applicable Wire Range	AWG #24~#28



Dimensional & Ordering Information:

Circuits	Part No	Dimensions				Pcs/Bag
		A	B	C	D	
2	MH-R-02	2.00	5.10	6.00	—	1000
3	MH-R-03	4.00	7.10	8.00	—	1000
4	MH-R-04	6.00	9.10	10.00	4.00	1000
5	MH-R-05	8.00	11.10	12.00	6.00	1000
6	MH-R-06	10.00	13.10	14.00	8.00	1000
7	MH-R-07	12.00	15.10	16.00	10.00	1000
8	MH-R-08	14.00	17.10	18.00	12.00	1000
9	MH-R-09	16.00	19.10	20.00	14.00	1000
10	MH-R-10	18.00	21.10	22.00	16.00	1000
11	MH-R-11	20.00	23.10	24.00	18.00	1000
12	MH-R-12	22.00	25.10	26.00	20.00	1000
13	MH-R-13	24.00	27.10	28.00	22.00	1000
14	MH-R-14	26.00	29.10	30.00	24.00	1000
15	MH-R-15	28.00	31.10	32.00	26.00	1000

RoHS Compliant

TOLERANCES ARE

MORETHANALL
PCB CONNECTORS
Cable ASSEMBLIES

煜倫股份有限公司

www.morethanall.com

DRAWING BY CY

CHECKED BY GENIUS

UNIT / mm

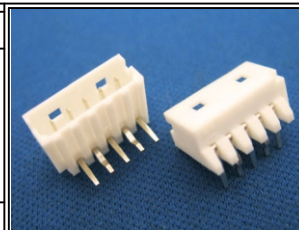
SCALE 1 : 1

DATE

SIZE A4

PPOJECTION

X, ±
.X ±
.XX ±
.XXX ±
ANG ±



ORDER INFORMATION

MH-R-xx-LF
SERIES | LEADFREE
02~15 WAY
DIP 90°

DESCRIPTION: