

MATERIAL

INSULATION: NYLON

MATERIAL: BRASS

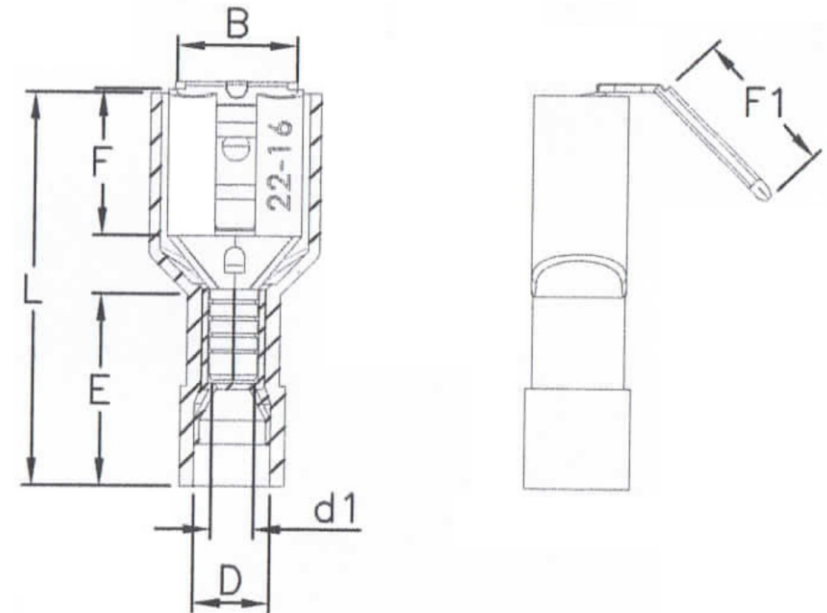
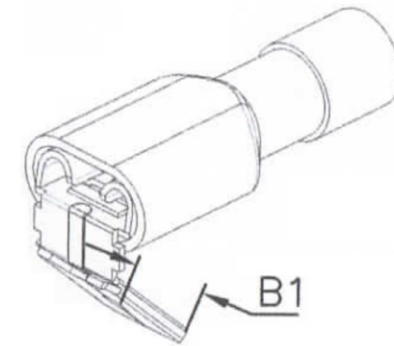
TIN PLATING

MAXIMUM ELECTRIC CURRENT

| | | | | | | | |
|---------|----|----|----|----|----|----|----|
| A. W. G | 22 | 20 | 18 | 16 | 14 | 12 | 10 |
| MAX AMP | 3 | 4 | 7 | 10 | 15 | 20 | 24 |

NOTE:

1. MAXIMUM ELECTRICAL RATING: 105°C 300 VOLTS
2. REINFORCEMENT SLEEVE: C TYPE SLEEVE
3. WIRE RANGE: 22-16 AWG / 0.5-1.5 mm²
INSULATED COLOR: RED
4. WIRE RANGE: 16-14 AWG / 1.5-2.5 mm²
INSULATED COLOR: BLUE
5. WIRE RANGE: 12-10 AWG / 4-6 mm²
INSULATED COLOR: YELLOW
6. MATERIAL THICKNESS: t
TOLERANCE: ±0.05



| WIRE RANGE AWG/mm ² | 產品編號 ITEM NO. | NEMA TAB | B ±0.20 | B1 ±0.20 | F ±0.30 | F1 ±0.30 | L ±1.00 | E ±0.60 | D ±0.30 | d1 ±0.20 | t |
|--------------------------------------|------------------|----------|------------|-------------|------------|-------------|------------|------------|------------|-------------|-----|
| 22-16 AWG 0.5-1.5 mm ² | Q250-ET8NFC-16 | 0.8x6.4 | 6.6 | 6.35 | 8.0 | 8.2 | 22.0 | 10.5 | 4.2 | 1.7 | 0.4 |
| 16-14 AWG 1.5-2.5 mm ² | Q250-ET8NFC-14 | 0.8x6.4 | 6.6 | 6.35 | 8.0 | 8.2 | 22.0 | 10.5 | 4.9 | 2.3 | 0.4 |
| 12-10 AWG 4-6 mm ² | Q250-ET8NFC-10 | 0.8x6.4 | 6.6 | 6.35 | 8.0 | 8.2 | 24.5 | 13.0 | 6.5 | 3.4 | 0.4 |

RoHS Compliant

TOLERANCES ARE

MORETHANALL
PCB CONNECTORS
Cable ASSEMBLIES
煜倫股份有限公司

DRAWING BY CY

CHECKED BY GENIUS

UNIT / mm

SCALE 1:1

DATE

SIZE A4

PPOJECTION

X. ±
.X ±
.XX ±
.XXX ±
ANG ±



ORDER INFORMATION

Q250-ET8NFC-xx-LF

SERIES | | | | | | | | | | LEADFREE
PIGGYBACK | | | | | | | | | | 16:16-22 AWG
TERMINAL | | | | | | | | | | 14:14-16 AWG
0.8t | | | | | | | | | | 10:10-12 AWG
NYLON FULL COPPER

DESCRIPTION:

www.morethanall.com