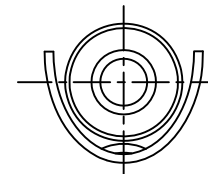
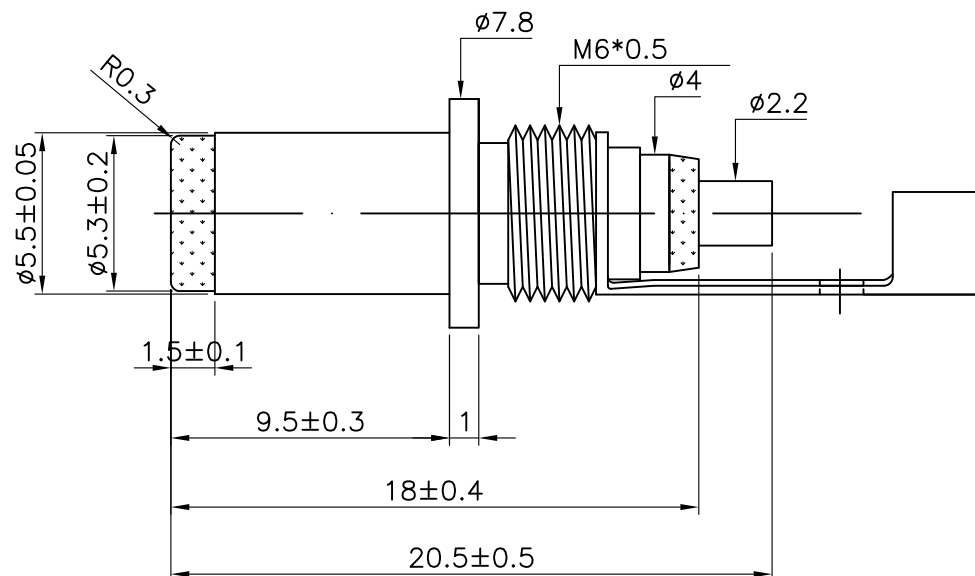
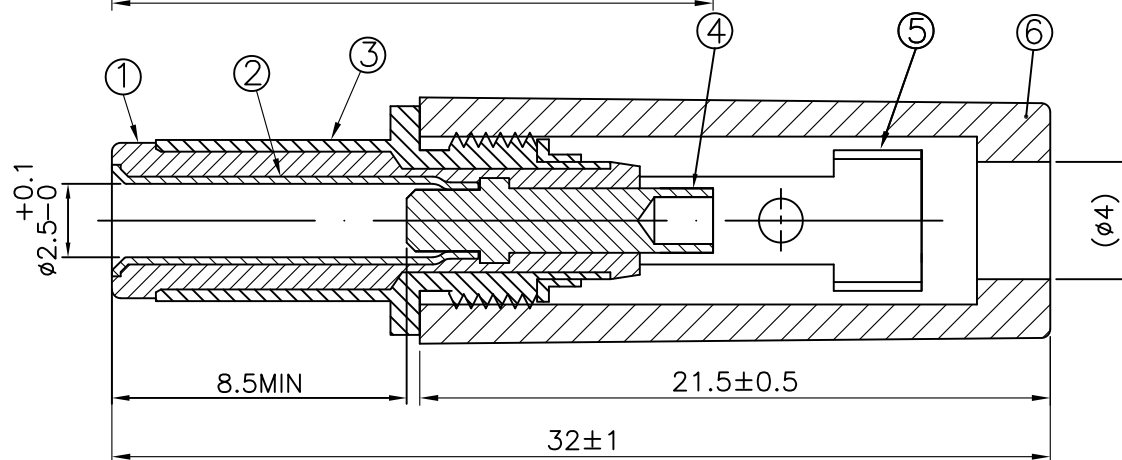


一般公差	
尺寸區分	公差
0>1.0	±0.1
1.0>6.0	±0.2
6.0>12.0	±0.3
12.0>25.0	±0.4
25.0>	±0.5



1. DIELECTRIC STRENGTH: AC 500V AT 1 MINUTE.
2. INSULATION RESISTANCE: DC 500V/100M OHMS MIN.
3. RATED VOLTAGE: 24V DC.
4. RATED CURRENT: 5A.



6	ABS BLACK
5	BRASS NICKEL
4	BRASS NICKEL
3	BRASS NICKEL
2	BRASS NICKEL
1	POM BLACK
NO	CONTENT

RoHS Compliant

TOLERANCES ARE

MORETHANALL
PCB CONNECTORS
Cable ASSEMBLIES

DRAWING BY CY

X, ±

CHECKED BY GENIUS

.X, ±

UNIT / mm

SCALE 1 : 1

.XX, ±

DATE

.XXX, ±

ANG, ±

SIZE A4

PPOJECTION



ORDER INFORMATION

DCP-A-5525SC9-LF
SERIES | LEADFREE
CONTACT 9.5mm
SHORT
ID: 2.5Ø
OD: 5.5Ø
ASSEMBLY

煜倫股份有限公司

www.morethanall.com

DESCRIPTION: DC PLUG ø5.5Xø2.5 (Asby Type)