

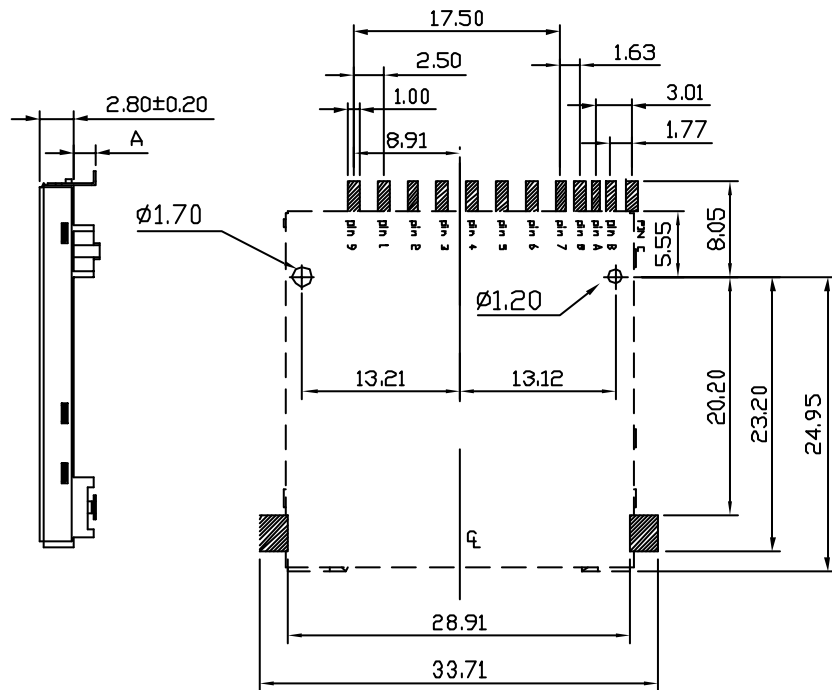
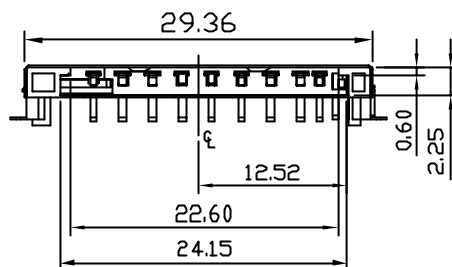
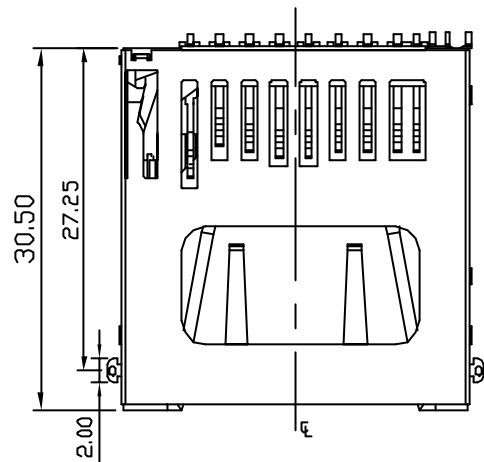
PART NO	dimension
	A
SDC-W26PA-09	0.10
SDC-W26PA18-09	1.80
SDC-W26PA24-09	2.40

1. MATERIAL :

HOUSING : GLASS- FILLED THERMO-PLASTIC.UL94V-0
 CONTACT : COPPER ALLOY
 COVER : STAINLESS STEEL
 SPRING : STAINLESS STEEL

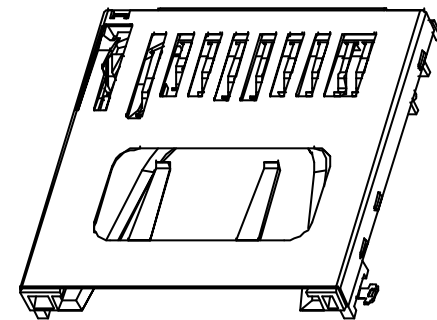
2. SPECIFICATION

VOLTAGE RATING : 100VAC RMS MAX
 CURRENT RATING : 0.5A MAX
 OPERATING TEMPERATURE : -25°C ~ +60°C
 INSULATION RESISTANCE: 1000 MΩ Min
 CONTACT RESISTANCE: 100 mΩ Max



PCB LAYOUT

General Tolerances ±0.05



RoHS Compliant

MORETHANALL
 PCB CONNECTORS
 Cable ASSEMBLIES

煜倫股份有限公司

www.morethanall.com

DRAWING BY CY

CHECKED BY GENIUS

UNIT / mm SCALE 1 : 1

DATE

SIZE A4

TOLERANCES ARE

X. ±
 .X ±
 .XX ±
 .XXX ±
 ANG ±

PJECTION



ORDER INFORMATION

SDC-W26PAxx-09-LF

SERIES LEADFREE

99 WAY

18:STAND OFF 1.8mm

24:STAND OFF 2.4mm

90°SMT UPPER CONTACT

POST 26.41mm PUSH PUSH

DESCRIPTION: SD CONNECTOR PUSH REVERSE SMT TYPE