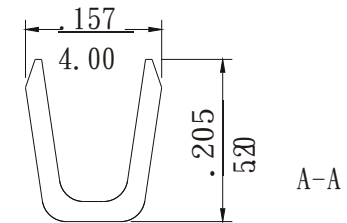
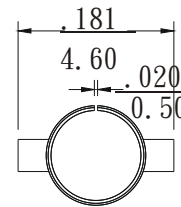
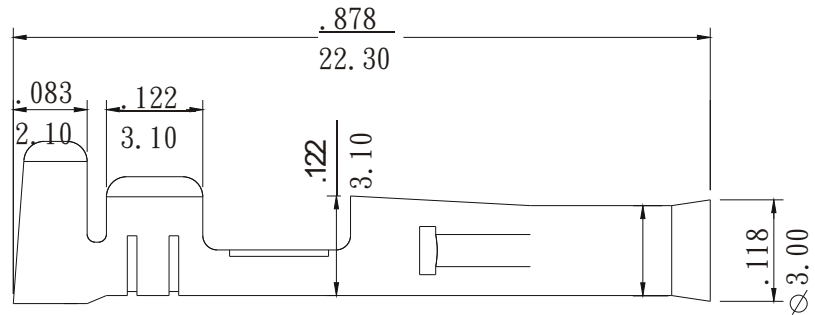
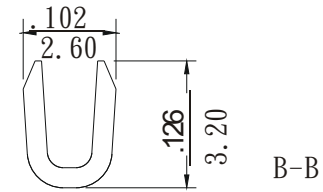
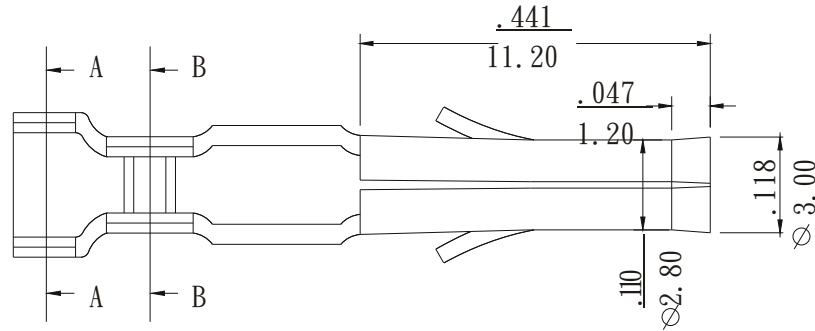


* Material : Brass



inch
mm

Part No.	Wire Range	Package
PW-F-14	AWG#14-#20	4000PCS/REEL
PW-F-20	AWG#20-#24	5000PCS/REEL

RoHS Compliant

TOLERANCES ARE

MORETHANALL
PCB CONNECTORS
Cable ASSEMBLIES
煜倫股份有限公司

DRAWING BY CY
CHECKED BY GENIUS
UNIT / mm SCALE 1 : 1
DATE

X. ±
.X ±
.XX ±
.XXX ±
ANG ±



ORDER INFORMATION

PW-F-xx-LF
SERIES | LEADFREE
14:14~20AWG
20:20~24AWG
FEMALE

www.morethanall.com

SIZE A4 PPROJECTION

DESCRIPTION: