

Technical Data:

Material:

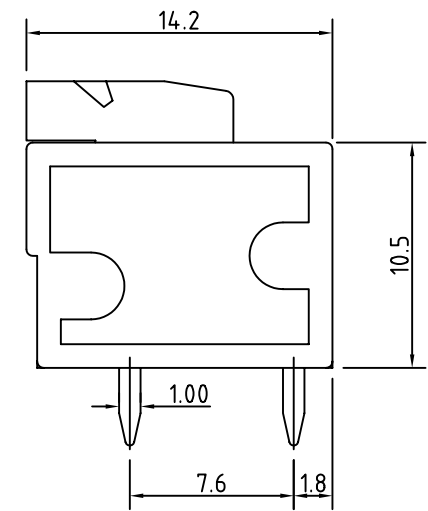
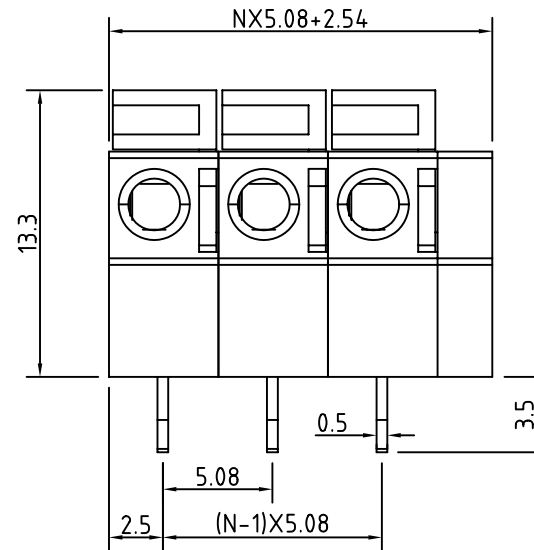
- o Contact : Brass
- o Wire guard : stainless steel
- o Surface of solder tail : Tin plated
- o Insulator body(housing) : PBT(Glass filled)(UL94V-0)
- o Insulator Level : Polyamide(Glass filled)(UL94V-0)

Electrical

- o Voltage rating : 300VAC
- o Current rating : 10Amps/way max
- o Contact resistance : 20mΩ (max)
- o Insulation resistance : 1000MΩ min.
- o Wire range : 14-24AWG

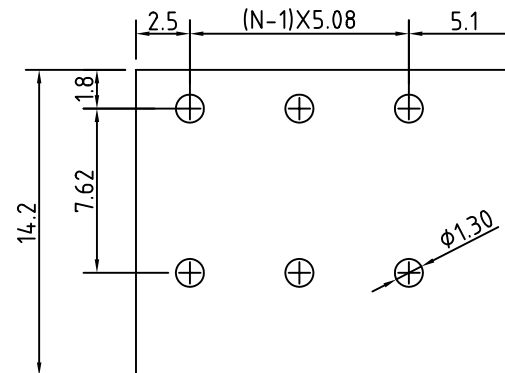
Mechanical:

- o Operating temperature : -55°C to +105°C
- o Test temperature= 250°C 5 seconds max.



N=Number of contacts

P.C.B. LAYOUT



煜倫股份有限公司

www.morethanall.com

RoHS Compliant

TOLERANCES ARE

DRAWING BY CY

X, ±

CHECKED BY GENIUS

.X ± 0.30

UNIT / mm

SCALE 1 : 1

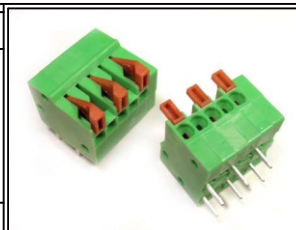
.XXX ±

DATE

ANG ±

SIZE A4

PJECTION



ORDER INFORMATION

TBX051-R13-xx-LF

SERIES

LEADFREE

02-24 WAY

HIGH 13.3mm

DIP 90°

DESCRIPTION: