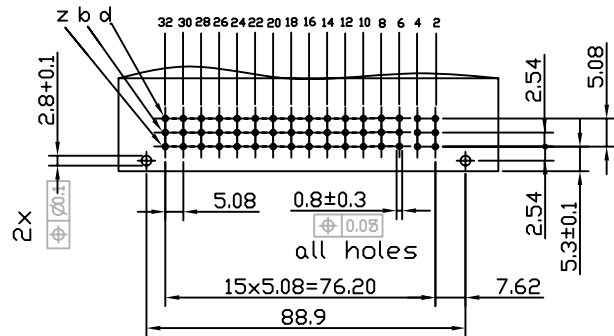
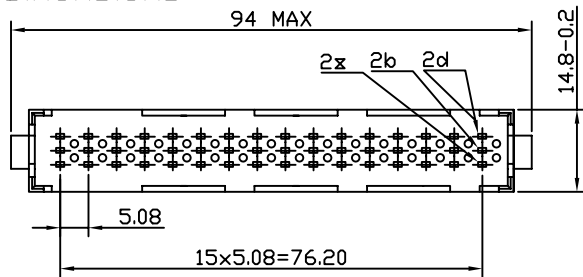


Dimensions



Recommended P.C.B. layout

Technical data

Housing	PBT & 30%Class Fiber(UL94-0)
Contact	Male : Phosphor Bronze
Operating temperature	-55°C~+105°C
Contact resistance	30m(ohm)max.at DC 100mA
Insulator resistance	1000M(ohm)min.at DC 500V
Current rating	5.6 AMP
Withstanding voltage	AC 1000V for 1 minute
Insertion force	75N max
Withdrawal force	0.15N/pin min
Contact Rating	Selective gold, Plating

Ordering Information

NO. OF CONTACTS	48	32	32	47+1	31+1	46+2
POSITION	d+b+z	b+z	d+z	d+b+z z32 pre-mating	b+z z32 pre-mating	d+b+z b2+b32 pre-mating

RoHS Compliant



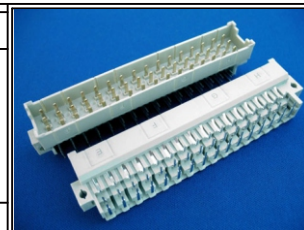
煜倫股份有限公司

www.morethanall.com

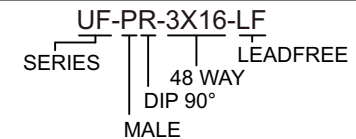
DRAWING BY CY  
 CHECKED BY GENIUS  
 UNIT / mm SCALE 1 : 1  
 DATE  
 SIZE A4 PPROJECTION

TOLERANCES ARE

X. ±  
 .X ±  
 .XX ±  
 .XXX ±  
 ANG ±



ORDER INFORMATION



DESCRIPTION: Right Angle Male Type F48 Connectors