

TECHNICAL CHARACTERISTICS

1. General Characteristics

Dimensions: 11.70L x 8.40W x 4.50H mm

Weight: A pprox. 0.30 g

Contact principle: Friction technology

Operating position: Shaft up / Down / Horizontal

Mounting System: SMT Type (without post)

Durability: 5,000 cycles min.

2. Mechanical Characteristics

Insulation material: Thermoplastic, UL 94V-0

RoHS Directive 2002/95/EC Compliant

3. Electrical Characteristics

Number of contacts: 6 pins

Contact resistance: 50 m Ohm typical, 100 m Ohm max.

Insulation resistance: >1000 M OHM / 500 VDC

4. Solderability

Wave: Not applicable

IR reflow: 260 C, 10 sec. Max.

Manual soldering: 360 C, 3 sec. Max.

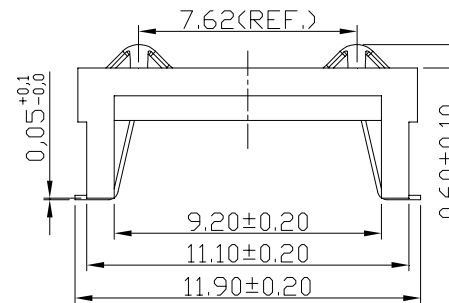
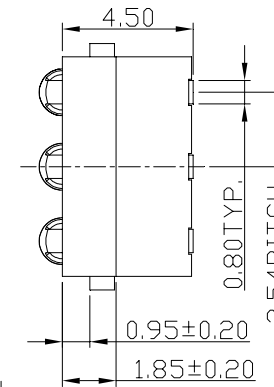
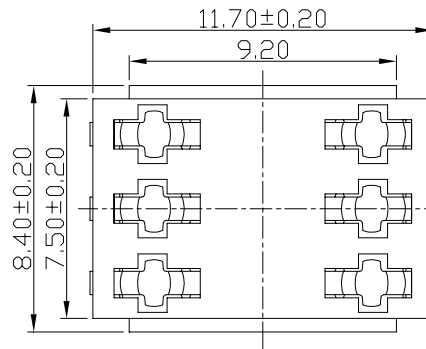
5. Environmental Characteristics

Operating temperature: - 40 C ~ + 85 C

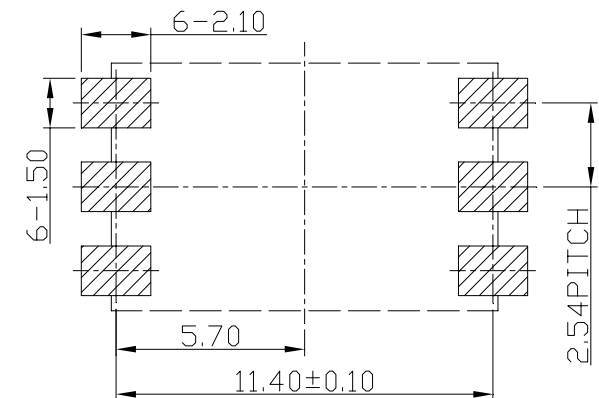
Operating humidity: 10 % ~ 95 % RH

Storage temperature: - 40 C ~ + 85 C

Storage humidity: 10 % ~ 95 % RH



Unit: mm; Tolerances: ± 0.15 mm
Mechanical outline dimension



Unit: mm; Tolerances: ± 0.05 mm
Reference dimension for PCB layout

RoHS Compliant

TOLERANCES ARE

MORETHANALL
PCB CONNECTORS
Cable ASSEMBLIES

DRAWING BY CY

X, ±

CHECKED BY GENIUS

.X ±

UNIT / mm

SCALE 1 : 1

.XX ±

.XXX ±

ANG ±

DATE

SIZE A4

PPOJECTION



ORDER INFORMATION

SCX-W1145XR-06-LF
SERIES | | | | | LEADFREE
| | | | | 06WAY
| | | | | REEL
90°SMT | | | | | NON POST
| | | | | 4.5mm HIGH
| | | | | PAD TO PAD 11.4mm

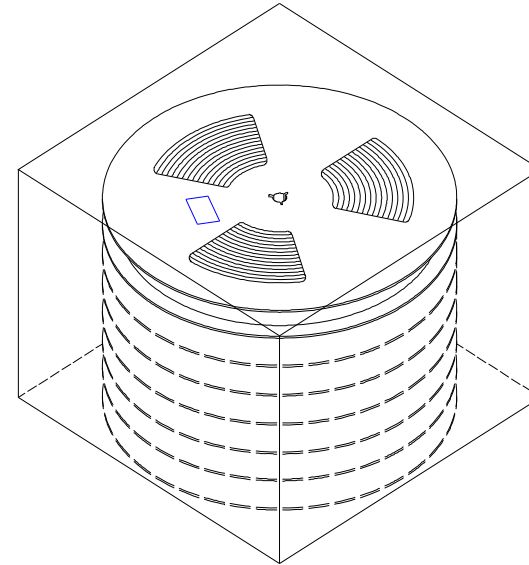
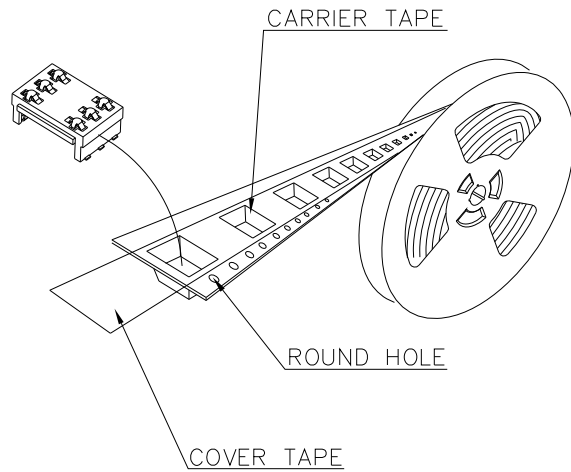
煜倫股份有限公司

www.morethanall.com

DESCRIPTION:

APPENDIX A: PACKING INFORMATION

A1: Carrier Tape (Meet EIA-481 standard)



N.W.: 0.28 KGS
G.W.: 0.77 KGS
QTY: 1,000PCs per reel
Meas.: dia. 33 CM, W 2.4 CM

N.W.: 2.8 KGS
G.W.: 8.6 KGS
QTY: 10,000 PCs per carton
 (10 reels set in order)
Meas.: 36.5L x 36.5W x 36.0H CM

RoHS Compliant

TOLERANCES ARE

MORETHANALL
 PCB CONNECTORS
 Cable ASSEMBLIES
煜倫股份有限公司

DRAWING BY CY

CHECKED BY GENIUS

UNIT / mm SCALE 1 : 1

DATE

SIZE A4

X, ±
 .X ±
 .XX ±
 .XXX ±
 ANG ±

SIZE A4 PPROJECTION



ORDER INFORMATION

SCX-W1145XR-06-LF
 SERIES | | | | LEADFREE
 | | | | 06WAY
 | | | | REEL
 90°SMT | | | | NON POST
 | | | | 4.5mm HIGH
 | | | | PAD TO PAD 11.4mm

DESCRIPTION:

www.morethanall.com