

## TECHNICAL CHARACTERISTICS

### 1. General Characteristics

Dimensions: 11.70L x 8.40W x 4.50H mm

Weight: A pprox. 0.30 g

Contact principle: Friction technology

Operating position: Shaft up / Down / Horizontal

Mounting System: SMT Type (without post)

Durability: 5,000 cycles min.

### 2. Mechanical Characteristics

Insulation material: Thermoplastic, UL 94V-0

RoHS Directive 2002/95/EC Compliant

### 3. Electrical Characteristics

Number of contacts: 6 pins

Contact resistance: 50 m Ohm typical, 100 m Ohm max.

Insulation resistance: >1000 M OHM / 500 VDC

### 4. Solderability

Wave: Not applicable

IR reflow: 260 C, 10 sec. Max.

Manual soldering: 360 C, 3 sec. Max.

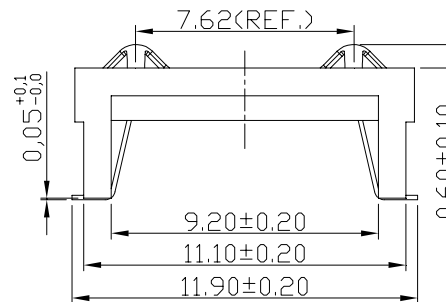
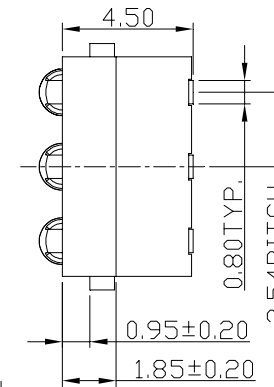
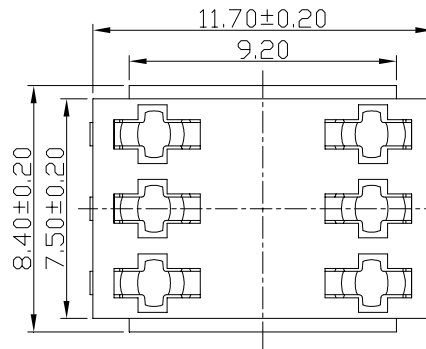
### 5. Environmental Characteristics

Operating temperature: - 40 C ~ + 85 C

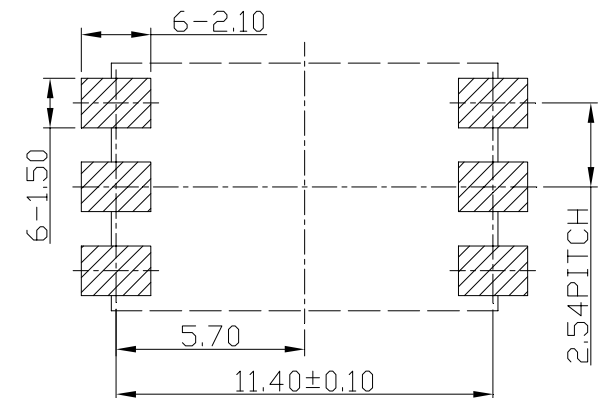
Operating humidity: 10 % ~ 95 % RH

Storage temperature: - 40 C ~ + 85 C

Storage humidity: 10 % ~ 95 % RH



Unit: mm; Tolerances: ± 0.15 mm  
Mechanical outline dimension



Unit: mm; Tolerances: ± 0.05 mm  
Reference dimension for PCB layout

**RoHS Compliant**

TOLERANCES ARE

**MORETHANALL**  
PCB CONNECTORS  
Cable ASSEMBLIES

DRAWING BY CY

X, ±

CHECKED BY GENIUS

.X ±

UNIT / mm

SCALE 1 : 1

.XX ±

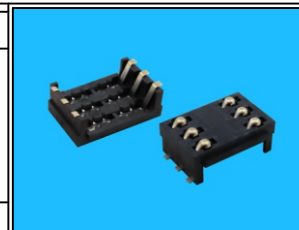
DATE

.XXX ±

ANG ±

SIZE A4

P PROJECTION



**ORDER INFORMATION**

**SCX-W1145X-06-LF**  
SERIES | | | LEADFREE  
90°SMT | | | 06WAY  
| | | NON POST  
| | | 4.5mm HIGH  
| | | PAD TO PAD 11.4mm

**煜倫股份有限公司**

[www.morethanall.com](http://www.morethanall.com)

DESCRIPTION: