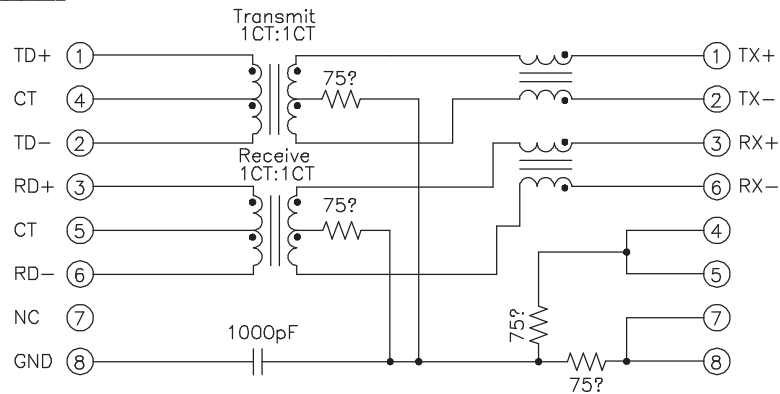


PCB Layout T=1.60mm
Component Side Shown

Schematic:



RoHS Compliant

TOLERANCES ARE

MORETHANALL
PCB CONNECTORS
Cable ASSEMBLIES

煜倫股份有限公司

www.morethanall.com

DRAWING BY CY

CHECKED BY GENIUS

UNIT/ mm SCALE 1:1

DATE

SIZE A4

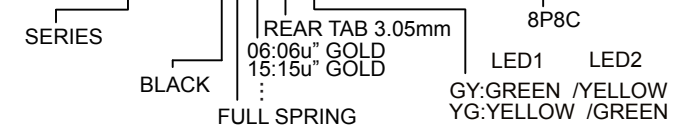
X. ±
.X ±
.XX ±
.XXX ±
ANG ±

PJECTION



ORDER INFORMATION

MJF13T45L-KFxxB3xx43-0808



DESCRIPTION: 10-100 Base Transformer Jack With LED

Notes:

Characteristics Description:

1. RJ45 10/100 Base-Tx Transformer Jack With Transformer Impedance Resistor/High Voltage Capacitor.
2. Size Same As RJ-45 Modular Jack To Save PCB Space.
3. Reduce EMI Radiation, Improve EMI Performance.
4. Designed For Network Interface Card Application.
5. Designed To Meet IEEE 802.3u Requirement.
6. Designed For 100 Base Transmission over UTP-5 Cable.
7. Operation Temperature Range: 0°C To 70°C

Electrical Specifications:

1. Inductance At 100 KHz, 100 mV 8mADC Bias: 350 uH Min.
2. Leakage Inductance 0.3 uH Max. @100KHz 100mV
3. Insertion Loss:1.1 dB Max. @ 1-100 MHz
4. Return Loss:18dB Min. @ 1-30MHz
12dB Min. @ 60-80MHz
5. Cross Talk:35dB Min. @ 1-80MHz
6. Common Mode Rejection:35dB Typ. @30-100MHz
7. Isolation @60Hz:1500Vrms(Input To Output) 60 Seconds
8. DCR J(6-3)=J(2-1)=1.2 Ohms Max.

Mechanical:

1. Housing Material :High Temperature & GLASS FILLED POLYESTER UL94V-0
2. Contact Mateial :Phosphor Bronze t=0.35mm.
3. Plating :Contact Area- 50u" Gold Plating.
Tails- 150u" Tin Min. Over 50u" Nickel.
4. Shield Material :Brass C2680 50u" Nickel Plating t=0.25mm.
5. Operating Life :750 Cycles Min.
6. PCB Retention Pre-Solder :1 Lb Min.
7. PCB Retention Post-Solder :10 Lbs Min.

Environmental:

1. Storage :-40°C To+85°C.
 2. Operation :0°C To+70°C.
 3. Wave Soldering Temperature:255~265°C (3~5 Seconds)
- Mates With Modular Plug Conforming To FCC Part 68, Subpart F.

RoHS Compliant

TOLERANCES ARE



煜倫股份有限公司

www.morethanall.com

DRAWING BY CY

CHECKED BY GENIUS

UNIT/mm SCALE 1:1

DATE

SIZE A4

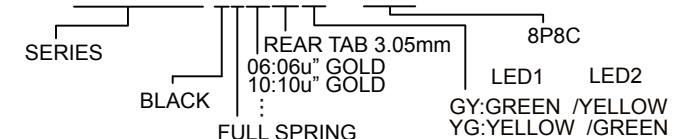
X. ±
.X ±
.XX ±
.XXX ±
ANG ±

PJECTION



ORDER INFORMATION

MJF13T45L-KFxxB3xx43-0808



DESCRIPTION: 10-100 Base Transformer Jack With LED