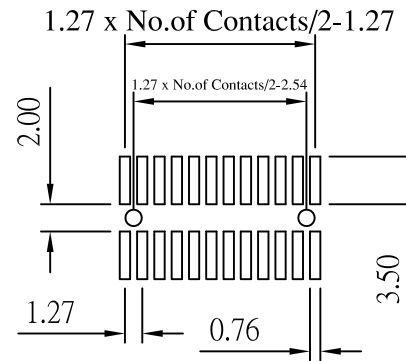
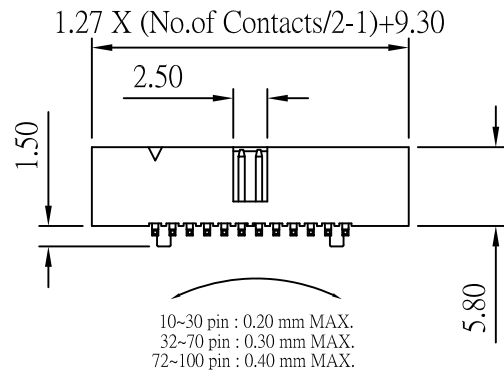


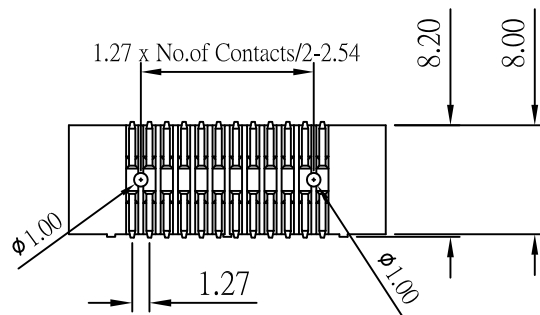
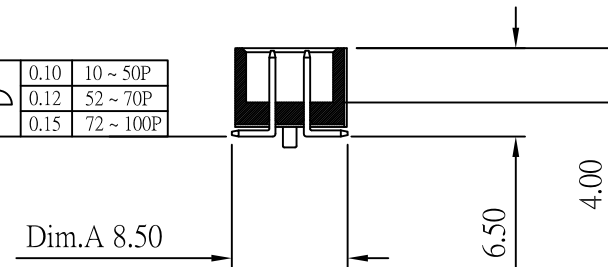
Recommended P.C. Board
SMD Layout



Current Rating and Voltage: 1 Amps 250V AC (r.m.s)
 Insulator Resistance: 5000 Megohms min
 Contact Resistance: 20 m ohms max
 Dielectric Withstanding: 500 V AC
 Operating Temperature: - 40° ~ +105° C
 Max Processing Temp: 230° C for 60 seconds
 Max Processing Temp: 260° C for 10 seconds
 Contact Material: Copper Alloy
 Standard: Brass
 Insulator Material: High Temperature
 Plastic,UL 94V-0
 Finish: Standard: Gold Flash all over



D	0.10	10 ~ 50P
	0.12	52 ~ 70P
	0.15	72 ~ 100P



RoHS Compliant

TOLERANCES ARE

MORETHANALL
PCB CONNECTORS
Cable ASSEMBLIES

DRAWING BY CY

X. ±
.X ± 0.30
.XX ± 0.20
.XXX ± 0.10
ANG ±

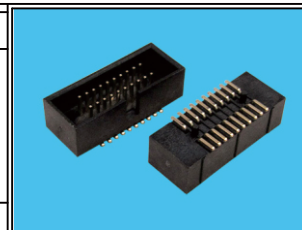
CHECKED BY GENIUS

UNIT / mm SCALE 1 : 1

DATE

SIZE A4

PJECTION



ORDER INFORMATION

HB-VP-xxx-LF
 SERIES | LEADFREE
 | 010~100 WAY
 | POST
 | 180°SMT

煜倫股份有限公司

www.morethanall.com

DESCRIPTION: